

**ASME B31.9-2020**  
(Revision of ASME B31.9-2017)

# Building Services Piping

**ASME Code for Pressure Piping, B31**

ASMENORMDOC.COM : Click to view the full PDF of ASME B31.9-2020

**AN AMERICAN NATIONAL STANDARD**



The American Society of  
Mechanical Engineers

**ASME B31.9-2020**  
(Revision of ASME B31.9-2017)

# Building Services Piping

---

**ASME Code for Pressure Piping, B31**

ASMENORMDOC.COM : Click to view the full PDF of ASME B31.9-2020

**AN AMERICAN NATIONAL STANDARD**



**The American Society of  
Mechanical Engineers**

Two Park Avenue • New York, NY • 10016 USA

Date of Issuance: December 31, 2020

The next edition of this Code is scheduled for publication in 2023. This Code will become effective 6 months after the Date of Issuance.

ASME issues written replies to inquiries concerning interpretations of technical aspects of this Code. Interpretations are published on the Committee web page and under <http://go.asme.org/InterpsDatabase>. Periodically certain actions of the ASME B31 Committees may be published as Cases. Cases are published on the ASME website under the B31 Committee Page at <http://go.asme.org/B31committee> as they are issued.

Errata to codes and standards may be posted on the ASME website under the Committee Pages of the associated codes and standards to provide corrections to incorrectly published items, or to correct typographical or grammatical errors in codes and standards. Such errata shall be used on the date posted.

The B31 Committee Page can be found at <http://go.asme.org/B31committee>. The associated B31 Committee Pages for each code and standard can be accessed from this main page. There is an option available to automatically receive an e-mail notification when errata are posted to a particular code or standard. This option can be found on the appropriate Committee Page after selecting "Errata" in the "Publication Information" section.

ASME is the registered trademark of The American Society of Mechanical Engineers.

This code or standard was developed under procedures accredited as meeting the criteria for American National Standards. The Standards Committee that approved the code or standard was balanced to assure that individuals from competent and concerned interests have had an opportunity to participate. The proposed code or standard was made available for public review and comment that provides an opportunity for additional public input from industry, academia, regulatory agencies, and the public-at-large.

ASME does not "approve," "rate," or "endorse" any item, construction, proprietary device, or activity.

ASME does not take any position with respect to the validity of any patent rights asserted in connection with any items mentioned in this document, and does not undertake to insure anyone utilizing a standard against liability for infringement of any applicable letters patent, nor assume any such liability. Users of a code or standard are expressly advised that determination of the validity of any such patent rights, and the risk of infringement of such rights, is entirely their own responsibility.

Participation by federal agency representative(s) or person(s) affiliated with industry is not to be interpreted as government or industry endorsement of this code or standard.

ASME accepts responsibility for only those interpretations of this document issued in accordance with the established ASME procedures and policies, which precludes the issuance of interpretations by individuals.

No part of this document may be reproduced in any form,  
in an electronic retrieval system or otherwise,  
without the prior written permission of the publisher.

The American Society of Mechanical Engineers  
Two Park Avenue, New York, NY 10016-5990

Copyright © 2020 by  
THE AMERICAN SOCIETY OF MECHANICAL ENGINEERS  
All rights reserved  
Printed in U.S.A.

# CONTENTS

|                                       |   |           |
|---------------------------------------|---|-----------|
| Foreword                              | vi  |           |
| Committee Roster                      | vii   |           |
| Correspondence With the B31 Committee | ix  |           |
| Introduction                          | xi  |           |
| Summary of Changes                    | xiii  |           |
| <b>Chapter I</b>                      | <b>Scope and Definitions</b>                              | <b>1</b>  |
| 900                                   | General   | 1         |
| <b>Chapter II</b>                     | <b>Design</b>   | <b>9</b>  |
| <b>Part 1</b>                         | <b>Conditions and Criteria</b>                            | <b>9</b>  |
| 901                                   | Design Conditions   | 9         |
| 902                                   | Design Criteria   | 9         |
| <b>Part 2</b>                         | <b>Pressure Design of Piping Components</b>               | <b>11</b> |
| 903                                   | Criteria for Pressure Design of Piping Components         | 11        |
| 904                                   | Pressure Design of Components                             | 11        |
| <b>Part 3</b>                         | <b>Selection and Limitation of Components</b>             | <b>14</b> |
| 905                                   | Pipe  | 14        |
| 906                                   | Fittings, Bends, and Intersections                        | 15        |
| 907                                   | Valves  | 15        |
| 908                                   | Flanges, Blanks, Gaskets, and Bolting                     | 15        |
| <b>Part 4</b>                         | <b>Selection and Limitation of Joints</b>                 | <b>15</b> |
| 910                                   | Piping Joints   | 15        |
| 911                                   | Welded Joints   | 15        |
| 912                                   | Flanged Joints  | 16        |
| 913                                   | Mechanical and Proprietary Joints                         | 16        |
| 914                                   | Threaded Joints   | 16        |
| 915                                   | Flared, Flareless, and Compression Joints                 | 16        |
| 916                                   | Bell and Spigot Joints                                    | 16        |
| 917                                   | Brazed and Soldered Joints                                | 16        |
| <b>Part 5</b>                         | <b>Expansion, Flexibility, and Support</b>                | <b>17</b> |
| 919                                   | Expansion and Flexibility                                 | 17        |
| 920                                   | Loads on Pipe-Supporting Elements                         | 20        |
| 921                                   | Design of Pipe-Supporting Elements                        | 21        |
| <b>Part 6</b>                         | <b>Systems</b>  | <b>25</b> |
| 922                                   | Design Requirements Pertaining to Specific Piping Systems | 25        |
| <b>Chapter III</b>                    | <b>Materials</b>  | <b>27</b> |
| 923                                   | Materials — General Requirements                          | 27        |
| <b>Chapter IV</b>                     | <b>Component Requirements and Standard Practices</b>      | <b>29</b> |
| 926                                   | Dimensions and Ratings of Components                      | 29        |

|                                |  |    |
|--------------------------------|--|----|
| <b>Chapter V</b>               | <b>Fabrication, Assembly, and Erection</b>   | 36 |
| 927                            | Welded Fabrication of Metals   | 36 |
| 928                            | Brazing and Soldering of Metals  | 42 |
| 929                            | Bending  | 42 |
| 930                            | Forming  | 42 |
| 931                            | Heat Treatment   | 42 |
| 934                            | Fabrication of Nonmetals   | 43 |
| 935                            | Assembly   | 44 |
| <b>Chapter VI</b>              | <b>Inspection, Examination, and Testing</b>  | 46 |
| 936                            | Inspection and Examination   | 46 |
| 937                            | Leak Testing   | 47 |
| <br>                           |  |    |
| <b>Mandatory Appendices</b>    |  |    |
| I                              | Stress Tables  | 49 |
| II                             | Allowable Pressures for Nonmetallic, Nonplastic Pressure Piping  | 58 |
| III                            | Reference Standards  | 59 |
| IV                             | Preparation of Technical Inquiries   | 62 |
| <br>                           |  |    |
| <b>Nonmandatory Appendices</b> |  |    |
| A                              | Nonmandatory Quality System Program  | 63 |
| B                              | Seismic Design and Retrofit of Piping Systems  | 64 |
| <br>                           |  |    |
| <b>Figures</b>                 |  |    |
| 900.1.2                        | Code Jurisdictional Limits for Piping — Drum-Type Boilers  | 2  |
| 904.2.2                        | Nomenclature for Miter Joints  | 12 |
| 921.1.3-1                      | Support Spans for Standard Wall Steel Pipe   | 22 |
| 921.1.3-2                      | Support Spans for Copper and Thermoplastic Pipe  | 23 |
| 927.4.3-1                      | Fillet Weld Size   | 37 |
| 927.4.3-2                      | Minimum Weld Size, Setback, and Depth of Insertion for Slip-On and Socket Weld Flanges                 | 38 |
| 927.4.3-3                      | Minimum Welding Dimensions for Socket-Welding Components Other Than Flanges                            | 38 |
| 927.4.5-1                      | Acceptable Welds for Flat Heads  | 39 |
| 927.4.5-2                      | Unacceptable Welds for Flat Heads  | 39 |
| 927.4.6-1                      | Typical Weld Branch Connections  | 40 |
| 927.4.6-2                      | Typical Weld Details   | 40 |
| 927.4.6-3                      | Integrally Reinforced Branch Connection Fitting  | 41 |
| <br>                           |  |    |
| <b>Tables</b>                  |  |    |
| 902.4.3                        | Joint Factors, <i>E</i>  | 11 |
| 904.2.1                        | Pipe Thickness for Bends   | 12 |
| 917.3                          | Rated Internal Working Pressures of Joints Made With Copper Water Tube and Solder Joint Fittings, psig | 17 |
| 919.3.1                        | Moduli of Elasticity and Thermal Expansion Coefficients  | 18 |
| 921.2.2                        | Capacities of Threaded ASTM A36 Steel Rods   | 24 |
| 926.1                          | Component Standards and Specifications   | 30 |
| 926.2                          | Standard Practices   | 35 |

|         |  |    |
|---------|--|----|
| I-1     | Allowable Stresses . . . . .   | 50 |
| I-2     | Hydrostatic Design Stresses (HDS) and Recommended Temperature Limits for<br>Thermoplastic Pipe . . . . .                                 | 55 |
| I-3     | Design Stress Values for Contact Molded (Hand-Lay-Up) Pipe Made From Reinforced<br>Thermosetting Resins . . . . .                        | 56 |
| I-4     | Hydrostatic Design Basis Stress for Machine-Made Thermosetting Resin Pipe . . . . .  | 57 |
| II-1    | Allowable Pressures for Nonmetallic, Nonplastic Pressure Piping . . . . .  | 58 |
| B-3.2.1 | Seismic Design Requirements, Applicable Sections . . . . .   | 65 |
| B-3.3.1 | Maximum Span, ft, Between Lateral Seismic Restraints for Steel Pipe With a Yield Stress of 35<br>ksi, in Water Service at 70°F . . . . . | 66 |

ASME B31.9 2020  
 ASMENORMDOC.COM : Click to view the full PDF of ASME B31.9 2020

# FOREWORD

The need for a national code for pressure piping became increasingly evident from 1915 to 1925. The American Standards Association (ASA) initiated the B31 Project in March 1926 to meet that need. The American Society of Mechanical Engineers (ASME) proposed the work and has served as sponsor since its inception.

The first edition was published in 1935 as the American Tentative Standard Code for Pressure Piping. To keep the Code abreast of developments in design, welding, and service conditions, and of new standards and specifications, new or supplementary editions were issued as follows:

|             |  |
|-------------|--|
| B31.1-1942  | American Standard Code for Pressure Piping |
| B31.1a-1944 | Supplement 1                               |
| B31.1b-1947 | Supplement 2                               |
| B31.1-1951  | American Standard Code for Pressure Piping |
| B31.1a-1953 | Supplement 1 to B31.1-1951                 |
| B31.1-1955  | American Standard Code for Pressure Piping |

In 1955, a decision was made to develop and publish separate Code Sections for various industries. The current Sections are as follows:

|        |  |
|--------|--|
| B31.1  | Power Piping   |
| B31.3  | Process Piping   |
| B31.4  | Pipeline Transportation Systems for Liquids and Slurries |
| B31.5  | Refrigeration Piping and Heat Transfer Components        |
| B31.8  | Gas Transmission and Distribution Piping Systems         |
| B31.9  | Building Services Piping                                 |
| B31.12 | Hydrogen Piping and Pipelines                            |

In 1969, ASA, renamed the United States of America Standards Institute (USASI), became the American National Standards Institute (ANSI), and the B31 Sectional Committee became the B31 Standards Committee. In 1978, ASME was granted accreditation by ANSI to organize the B31 Committee as the ASME Code for Pressure Piping, with Code Sections designated as ANSI/ASME B31.

Need for a separate building services section of the Code for Pressure Piping had been recognized for several years. ASME B31.9, Building Services Piping, first issued in 1982, was developed to fill that need.

The Code has intentionally been written on a conservative basis in order to avoid the necessity for complex design, fabrication, and inspection criteria. For this reason, application of this Code is expected to be simple and straightforward.

Metric (SI) units were added in parentheses after U.S. Customary (USC) units. The 2008 edition was approved by ANSI on April 1, 2008, and designated as ASME B31.9-2008.

The 2011 edition of ASME B31.9 contained revisions to the definitions and materials section of the Code. Additionally, the allowable stress values were updated to the 3.5 design margin.

The 2014 edition of ASME B31.9 included revisions to materials and the standards for material specifications, and other errata found in the Code.

The 2017 edition of ASME B31.9 included the addition of allowable stresses for (austenitic) stainless steels to [Table I-1](#) and revisions to references in [Mandatory Appendix III](#). Following approval by the B31 Main Committee and the ASME Board on Pressure Technology Codes and Standards, and after public review, ASME B31.9-2017 was approved by ANSI on October 31, 2017.

ASME B31.9-2020 was approved by ANSI on September 16, 2020.

# ASME B31 COMMITTEE

## Code for Pressure Piping

(The following is the roster of the Committee at the time of approval of this Code.)

### STANDARDS COMMITTEE OFFICERS

**C. Eskridge**, *Chair*  
**K. A. Vilminot**, *Vice Chair*  
**J. Oh**, *Secretary*

### STANDARDS COMMITTEE PERSONNEL

|  |   |
|--|---|
| <b>R. J. Appleby</b> , Pipelines Consultant                      | <b>R. W. Haupt</b> , Pressure Piping Engineering Associates, Inc. |
| <b>K. C. Bodenhamer</b> , TRC Pipeline Services                  | <b>G. A. Jolly</b> , Samshin, Ltd.                                |
| <b>R. M. Bojarczuk</b> , ExxonMobil Research and Engineering Co. | <b>K. Kaplan</b> , Consultant                                     |
| <b>M. R. Braz</b> , MRBraz and Associates, PLLC                  | <b>C. Kolovich</b> , Quest Integrity                              |
| <b>M. Burkhart</b> , The Burkhart Group, Inc.                    | <b>W. J. Mauro</b> , Consultant                                   |
| <b>R. Campbell</b> , Bechtel                                     | <b>J. E. Meyer</b> , CDM Smith — Industrial Division              |
| <b>J. S. Chin</b> , TC Energy                                    | <b>T. Monday</b> , Team Industries, Inc.                          |
| <b>D. D. Christian</b> , Victaulic                               | <b>J. Oh</b> , The American Society of Mechanical Engineers       |
| <b>R. P. Deubler</b> , Becht Engineering Co., Inc.               | <b>D. W. Raho</b> , CCM 2000                                      |
| <b>D. Diehl</b> , Hexagon PPM                                    | <b>R. Reamey</b> , Turner Industries Group, LLC                   |
| <b>M. Engelkemier</b> , Cargill                                  | <b>M. J. Rosenfeld</b> , RSI Pipeline Solutions, LLC              |
| <b>C. Eskridge</b> , Worley ECR                                  | <b>J. T. Schmitz</b> , Southwest Gas Corp.                        |
| <b>D. J. Fetzner</b> , BP Exploration Alaska, Inc.               | <b>S. K. Sinha</b> , Lucius Pitkin, Inc.                          |
| <b>P. D. Flenner</b> , Flenner Engineering Services              | <b>W. J. Sperko</b> , Sperko Engineering Services, Inc.           |
| <b>J. W. Frey</b> , Joe W. Frey Engineering Services, LLC        | <b>F. W. Tatar</b> , FM Global                                    |
| <b>D. R. Frikken</b> , Becht Engineering Co., Inc.               | <b>K. A. Vilminot</b> , Commonwealth Associates, Inc.             |
| <b>R. A. Grichuk</b> , S&B Engineers and Constructors, Ltd.      | <b>M. L. Nayyar</b> , <i>Contributing Member</i> , NICE           |

### B31.9 BUILDING SERVICES PIPING SECTION COMMITTEE

|   |  |
|---|--|
| <b>D. D. Christian</b> , <i>Chair</i> , Victaulic                                   | <b>L. A. Loziuk</b> , Consultant   |
| <b>W. J. Sperko</b> , <i>Vice Chair</i> , Sperko Engineering Services, Inc.         | <b>T. Q. McCawley</b> , TQM Engineering, PC                              |
| <b>R. Rahaman</b> , <i>Secretary</i> , The American Society of Mechanical Engineers | <b>J. R. Paschal</b> , Paschal Engineering and Forensic Consulting, Inc. |
| <b>M. H. Barnes</b> , Scantec, Inc.   | <b>F. Shingleton</b> , Viega, LLC  |
|   | <b>C. Iasiello</b> , <i>Contributing Member</i> , Victaulic              |

### B31 FABRICATION AND EXAMINATION COMMITTEE

|  |  |
|--|--|
| <b>R. Campbell</b> , <i>Chair</i> , Bechtel  | <b>D. R. Frikken</b> , Becht Engineering Co.                   |
| <b>U. D'Urso</b> , <i>Secretary</i> , The American Society of Mechanical Engineers | <b>S. Gingrich</b> , AECOM                                     |
| <b>D. Bingham</b> , Los Alamos National Labs                                       | <b>T. Monday</b> , Team Industries, Inc.                       |
| <b>B. Bosco</b> , Graycor Industrial Constructors, Inc.                            | <b>A. D. Nalbandian</b> , Thielsch Engineering, Inc.           |
| <b>M. DeLong</b> , IHI E&C International Corp.                                     | <b>R. Reamey</b> , Turner Industries Group, LLC                |
| <b>R. Duran</b> , Chevron  | <b>R. J. Silvia</b> , Process Engineers and Constructors, Inc. |
| <b>R. J. Ferguson</b> , Consultant   | <b>W. J. Sperko</b> , Sperko Engineering Services, Inc.        |
| <b>S. Findlan</b> , Stone and Webster, Inc.  | <b>J. P. Swezy, Jr.</b> , Boiler Code Tech, LLC                |
| <b>P. D. Flenner</b> , Flenner Engineering Services                                | <b>K. Wu</b> , Stellar Energy Systems                          |
| <b>J. W. Frey</b> , Joe W. Frey Engineering Services, LLC                          |  |



## B31 MATERIALS TECHNICAL COMMITTEE

**R. P. Deubler**, *Chair*, Becht Engineering Co., Inc.  
**C. Eskridge**, *Vice Chair*, Worley ECR  
**C. O'Brien**, *Secretary*, The American Society of Mechanical Engineers  
**B. Bounds**, Bechtel Corp.  
**W. P. Collins**, WPC Sol, LLC  
**A. Esmaeli**, OSD Pipelines  
**R. A. Grichuk**, S&B Engineers and Constructors, Ltd.  
**J. Gundlach**, Michigan Seamless Tube and Pipe  
**A. A. Hassan**, PGESCo.  
**L. Henderson, Jr.**, Kiewit Engineering Group, Inc.

**C. Henley**, Kiewit Engineering Group, Inc.  
**G. A. Jolly**, Samshin, Ltd.  
**C. Melo**, S&B Engineers and Constructors, Ltd.  
**K. Pham**, Fluor Federal Petroleum Operation  
**D. W. Raho**, CCM 2000  
**R. A. Schmidt**, Canadoil  
**S. Tonkins**, BP  
**D. K. Verma**, Bechtel Oil, Gas and Chemicals  
**Z. Djilali**, *Contributing Member*, Sonatrach  
**M. L. Nayyar**, *Contributing Member*, NICE

## B31 MECHANICAL DESIGN TECHNICAL COMMITTEE

**J. E. Meyer**, *Chair*, CDM Smith — Industrial Division  
**M. Engelkemier**, *Vice Chair*, Cargill  
**R. Rahaman**, *Secretary*, The American Society of Mechanical Engineers  
**G. A. Antaki**, Becht Engineering Co., Inc.  
**D. Arnett**, ExxonMobil Research and Engineering  
**C. Becht IV**, Becht Engineering Co., Inc.  
**R. Bethea**, Huntington Ingalls Industries — Newport News Shipbuilding  
**J. P. Ellenberger**, Retired  
**D. J. Fetzner**, BP Exploration Alaska, Inc.  
**D. Fraser**, NASA Ames Research Center  
**J. A. Graziano**, Consultant  
**J. D. Hart**, SSD, Inc.

**R. W. Haupt**, Pressure Piping Engineering Associates, Inc.  
**B. P. Holbrook**, Consultant  
**R. A. Leishear**, Leishear Engineering, LLC  
**G. D. Mayers**, Serco, Inc.  
**T. Q. McCawley**, TQM Engineering, PC  
**P. Moore**, Burns and McDonnell  
**A. W. Paulin**, Paulin Research Group  
**R. A. Robleto**, KBR  
**M. J. Rosenfeld**, RSI Pipeline Solutions, LLC  
**T. Sato**, Japan Power Engineering and Inspection Corp.  
**M. Stewart**, AECOM  
**H. Kosasayama**, *Contributing Member*, JGC Corp.  
**J. Minichello**, *Contributing Member*, Bechtel Corp. — Nuclear, Security and Environmental

# CORRESPONDENCE WITH THE B31 COMMITTEE

(20)

**General.** ASME Standards are developed and maintained with the intent to represent the consensus of concerned interests. As such, users of this Code may interact with the Committee by requesting interpretations, proposing revisions or a case, and attending Committee meetings. Correspondence should be addressed to:

Secretary, B31 Standards Committee  
The American Society of Mechanical Engineers  
Two Park Avenue  
New York, NY 10016-5990  
<http://go.asme.org/Inquiry>

**Proposing Revisions.** Revisions are made periodically to the Code to incorporate changes that appear necessary or desirable, as demonstrated by the experience gained from the application of the Code. Approved revisions will be published periodically.

The Committee welcomes proposals for revisions to this Code. Such proposals should be as specific as possible, citing the paragraph number(s), the proposed wording, and a detailed description of the reasons for the proposal, including any pertinent documentation.

**Proposing a Case.** Cases may be issued to provide alternative rules when justified, to permit early implementation of an approved revision when the need is urgent, or to provide rules not covered by existing provisions. Cases are effective immediately upon ASME approval and shall be posted on the ASME Committee web page.

Requests for Cases shall provide a Statement of Need and Background Information. The request should identify the Code and the paragraph, figure, or table number(s), and be written as a Question and Reply in the same format as existing Cases. Requests for Cases should also indicate the applicable edition(s) of the Code to which the proposed Case applies.

**Interpretations.** Upon request, the B31 Standards Committee will render an interpretation of any requirement of the Code. Interpretations can only be rendered in response to a written request sent to the Secretary of the B31 Standards Committee.

Requests for interpretation should preferably be submitted through the online Interpretation Submittal Form. The form is accessible at <http://go.asme.org/InterpretationRequest>. Upon submittal of the form, the Inquirer will receive an automatic e-mail confirming receipt.

If the Inquirer is unable to use the online form, he/she may mail the request to the Secretary of the B31 Standards Committee at the above address. The request for an interpretation should be clear and unambiguous. It is further recommended that the Inquirer submit his/her request in the following format:

- Subject: Cite the applicable paragraph number(s) and the topic of the inquiry in one or two words.
- Edition: Cite the applicable edition of the Code for which the interpretation is being requested.
- Question: Phrase the question as a request for an interpretation of a specific requirement suitable for general understanding and use, not as a request for an approval of a proprietary design or situation. Please provide a condensed and precise question, composed in such a way that a "yes" or "no" reply is acceptable.
- Proposed Reply(ies): Provide a proposed reply(ies) in the form of "Yes" or "No," with explanation as needed. If entering replies to more than one question, please number the questions and replies.
- Background Information: Provide the Committee with any background information that will assist the Committee in understanding the inquiry. The Inquirer may also include any plans or drawings that are necessary to explain the question; however, they should not contain proprietary names or information.

Requests that are not in the format described above may be rewritten in the appropriate format by the Committee prior to being answered, which may inadvertently change the intent of the original request.

Moreover, ASME does not act as a consultant for specific engineering problems or for the general application or understanding of the Code requirements. If, based on the inquiry information submitted, it is the opinion of the Committee that the Inquirer should seek assistance, the inquiry will be returned with the recommendation that such assistance be obtained.

ASME procedures provide for reconsideration of any interpretation when or if additional information that might affect an interpretation is available. Further, persons aggrieved by an interpretation may appeal to the cognizant ASME Committee or Subcommittee. ASME does not “approve,” “certify,” “rate,” or “endorse” any item, construction, proprietary device, or activity.

**Attending Committee Meetings.** The B31 Standards Committee regularly holds meetings and/or telephone conferences that are open to the public. Persons wishing to attend any meeting and/or telephone conference should contact the Secretary of the B31 Standards Committee.

ASMENORMDOC.COM : Click to view the full PDF of ASME B31.9 2020

# INTRODUCTION

(20)

The ASME B31 Code for Pressure Piping consists of a number of individually published Sections, each an American National Standard. Hereafter, in this Introduction and in the text of this Code Section B31.9, where the word *Code* is used without specific identification, it means this Code Section.

The Code specifies engineering requirements deemed necessary for safe design and construction of pressure piping. While safety is the primary consideration, this factor alone will not necessarily govern the final specifications for any piping installation. The Code is not a design handbook. Many decisions that must be made to produce a sound piping installation are not specified in detail within this Code. The Code does not serve as a substitute for sound engineering judgment by the owner and designer.

To the greatest possible extent, Code requirements for design are stated in terms of basic design principles and formulas. These are supplemented as necessary with specific requirements to ensure uniform application of principles and to guide selection and application of piping elements. The Code prohibits designs and practices known to be unsafe and contains warnings where caution, but not prohibition, is warranted.

(a) This Code Section includes

(1) references to acceptable material specifications and component standards, including dimensional requirements and pressure-temperature ratings

(2) requirements for design of components and assemblies, including pipe supports

(3) requirements and data for evaluation and limitation of stresses, reactions, and movements associated with pressure, temperature changes, and other forces

(4) guidance and limitations on the selection and application of materials, components, and joining methods

(5) requirements for the fabrication, assembly, and erection of piping

(6) requirements for examination, inspection, and testing of piping

It is intended that this edition of Code Section B31.9 not be retroactive. Unless agreement is specifically made between contracting parties to use another issue, or the regulatory body having jurisdiction imposes the use of another issue, the latest edition issued at least 6 months prior to the original contract date for the first phase of activity covering a piping system or systems shall be the governing document for all design, materials, fabrication, erection, examination, and testing for the piping until the completion of the work and initial operation.

Users of this Code are cautioned against making use of revisions without assurance that they are acceptable to the proper authorities in the jurisdiction where the piping is to be installed.

Code users will note that clauses in the Code are not necessarily numbered consecutively. Such discontinuities result from following a common outline, insofar as practicable, for all Code Sections. In this way, corresponding material is correspondingly numbered in most Code Sections, thus facilitating reference by those who have occasion to use more than one Section.

The Code is under the direction of ASME Committee B31, Code for Pressure Piping, which is organized and operates under ASME procedures that have been accredited by the American National Standards Institute. The Committee is a continuing one and keeps all Code Sections current with new developments in materials, construction, and industrial practice. New editions are published at intervals of 3 to 5 years.

It is the owner's responsibility to select the Code Section that most nearly applies to a proposed piping installation. Different Code Sections may apply to different parts of an installation. Factors to be considered by the owner include limitations of the Code Section, jurisdictional requirements, and the applicability of other codes and standards. All applicable requirements of the selected Code Section shall be met, and the owner should impose additional requirements supplementing those of the Code in order to ensure safe piping for the proposed installation.

(b) Rules for each Code Section have been developed considering the need for application-specific requirements for the pressure piping involved. Applications considered for each Code Section include

(1) *B31.1, Power Piping* — piping typically found in electric power generating stations, industrial and institutional plants, geothermal heating systems, and central and district heating and cooling systems

(2) *B31.3, Process Piping* — piping typically found in petroleum refineries; onshore and offshore petroleum and natural gas production facilities; chemical, pharmaceutical, textile, paper, ore-processing, semiconductor, and cryogenic plants; food- and beverage-processing facilities; and related processing plants and terminals

(3) *B31.4, Pipeline Transportation Systems for Liquids and Slurries* — piping transporting products that are predominately liquid between plants and terminals, and within terminals and pumping, regulating, and metering stations

(4) *B31.5, Refrigeration Piping and Heat Transfer Components* — piping for refrigerants and secondary coolants

(5) *B31.8, Gas Transportation and Distribution Piping Systems* — piping transporting products that are predominately gas between sources and terminals, including compressor, regulating, and metering stations; and gas gathering pipelines

(6) *B31.9, Building Services Piping* — piping typically found in industrial, institutional, commercial, and public buildings, and in multi-unit residences, which does not require the range of sizes, pressures, and temperatures covered in ASME B31.1

(7) *B31.12, Hydrogen Piping and Pipelines* — piping in gaseous and liquid hydrogen service, and pipelines in gaseous hydrogen service

(c) Certain piping within a facility may be subject to other codes and standards, including but not limited to

(1) *ASME Boiler and Pressure Vessel Code, Section III* — nuclear power piping

(2) *ANSI Z223.1, National Fuel Gas Code* — fuel gas piping from the point of delivery to the connections of each gas utilization device

(3) *NFPA Fire Protection Standards* — fire protection systems using water and other materials such as carbon dioxide, halon, foam, dry chemicals, and wet chemicals

(4) *NFPA 85, Boiler and Combustion Systems Hazards Code*

(5) *NFPA 99, Health Care Facilities* — medical and laboratory gas systems

(d) Either U.S. Customary (USC) units or International System (SI, also known as metric) units may be used with this edition. Local customary units may also be used to demonstrate compliance with this Code. One system of units should be used consistently for requirements applying to installation. The equations in this Code may be used with any consistent system of units. It is the responsibility of the organization performing calculations to ensure that a consistent system of units is used.

(e) See the [Correspondence With the B31 Committee](#) page for information on Code Cases. The ASME B31 Standards Committee took action to eliminate Code Case expiration dates effective September 21, 2007. This means that all Code Cases in effect as of that date will remain available for use until annulled by the ASME B31 Standards Committee.

(f) Materials are listed in the stress tables only when sufficient usage in piping within the scope of the Code has been shown. Materials may be covered by a Case. Requests for listing shall include evidence of satisfactory usage and specific data to permit establishment of allowable stresses, maximum and minimum temperature limits, and other restrictions. (To develop usage and gain experience, unlisted materials may be used in accordance with [para. 923.1.2.](#))

# ASME B31.9-2020

## SUMMARY OF CHANGES

Following approval by the ASME B31 Committee and ASME, and after public review, ASME B31.9-2020 was approved by the American National Standards Institute on September 16, 2020.

ASME B31.9-2020 includes the following changes identified by a margin note, **(20)**.

| <i>Page</i> | <i>Location</i>                       | <i>Change</i>   |
|-------------|---------------------------------------|---|
| ix          | Correspondence With the B31 Committee | Added   |
| xi          | Introduction                          | Revised   |
| 2           | Figure 900.1.2                        | Revised   |
| 3           | 900.1.4                               | Added   |
| 3           | 900.2                                 | Definition of <i>manufacturer's weld line</i> added   |
| 14          | 904.7.2                               | Introductory paragraph revised  |
| 30          | Table 926.1                           | Updated   |
| 37          | 927.4.6                               | In subpara. (b), second paragraph added   |
| 41          | Figure 927.4.6-3                      | Added   |
| 42          | 931                                   | Second paragraph added  |
| 50          | Table I-1                             | (1) Under Carbon Steel — Seamless Pipe and Tube, Electric Resistance Welded Pipe and Tube, and Spiral-Welded Pipe and Tube, last 3 rows added<br>(2) Note (2) added and subsequent Notes redesignated |
| 59          | Mandatory Appendix III                | (1) ASME B31P, ASTM F1476, ASTM F1548, ASTM F3226, MSS SP-127, and MSS SP-136 added<br>(2) AWWA C606 updated  |
| 62          | Mandatory Appendix IV                 | Information moved to Correspondence With the B31 Committee page   |
| 65          | Table B-3.2.1                         | For $a > 0.3g$ , under Noncritical Piping, NPS > 4 in., "NR" revised to "DR"  |
| 65          | B-3.2                                 | Paragraph after subpara. (c) added  |

ASMENORMDOC.COM : Click to view the full PDF of ASME B31.9 2020

ASMENORMDOC.COM : Click to view the full PDF of ASME B31.9 2020

INTENTIONALLY LEFT BLANK

# Chapter I

## Scope and Definitions

### 900 GENERAL

This Building Services Piping Code is a Section of The American Society of Mechanical Engineers (ASME) Code for Pressure Piping, B31. This Section, herein called the Code, is published as a separate document for convenience.

Standards and specifications incorporated by reference in this Code are shown in [Table 926.1](#), [Mandatory Appendix I](#), and elsewhere. It is not considered practical to refer to a dated edition of each standard or specification where referenced. Instead, the dated edition references are included in [Mandatory Appendix III](#).

The user is cautioned that the local building code must be observed and adhered to when its requirements are more stringent than those of this Code.

Components of piping systems shall conform to the specifications and standards listed in this Code. Piping elements neither specifically approved nor specifically prohibited by this Code may be used, provided they are qualified for use as set forth in applicable chapters of this Code.

The Code generally specifies a simplified approach for many of its requirements. A designer may choose to use a more rigorous analysis to develop design and construction requirements. When the designer decides to take this approach, the designer shall provide to the owner details and calculations demonstrating that design, construction, examination, and testing are consistent with the criteria of this Code. These details shall be adequate for the owner to verify the validity and shall be approved by the owner. The details shall be documented in the engineering design.

#### 900.1 Scope

**900.1.1 Coverage and Application.** This Code Section has rules for the piping in industrial, institutional, commercial, and public buildings, and in multi-unit residences, which does not require the range of sizes, pressures, and temperatures covered in ASME B31.1. This Code prescribes requirements for the design, materials, fabrication, installation, inspection, examination, and testing of piping systems for building services. It includes piping systems in the building or within the property limits.

#### 900.1.2 Services and Limits

*(a) Services.* This Code applies to the following building services, except as excluded in [para. 900.1.3](#):

- (1) water and antifreeze solutions for heating and cooling
- (2) condensing water
- (3) steam or other condensate
- (4) other nontoxic liquids
- (5) steam
- (6) vacuum
- (7) compressed air
- (8) other nontoxic, nonflammable gases
- (9) combustible liquids including fuel oil

*(b) Boiler External Piping.* The scope of this Code includes boiler external piping within the following limits:

- (1) for steam boilers, 15 psig (103 kPa gage) max.
- (2) for water heating units, 160 psig (1 103 kPa gage) max. and 250°F (121°C) max.

Boiler external piping above these pressure or temperature limits is within the scope of ASME B31.1. Boiler external piping is the piping connected to the boiler and extending to the points identified in [Figure 900.1.2](#).

*(c) Material and Size Limits.* Piping systems of the following materials are within the scope of this Code, through the indicated maximum size (and wall thickness if noted):

- (1) carbon steel: NPS 48 (DN 1200) and 0.50 in. (12.7 mm) wall
- (2) stainless steel: NPS 24 (DN 600) and 0.50 in. (12.7 mm) wall
- (3) aluminum: NPS 12 (DN 300)
- (4) brass and copper: NPS 12 (DN 300) and 12.125 in. (308 mm) O.D. for copper tubing
- (5) thermoplastics: NPS 24 (DN 600)
- (6) ductile iron: NPS 48 (DN 1200)
- (7) reinforced thermosetting resin (RTR): 24 in. (600 mm) nominal

Other materials may be used as noted in [Chapter III](#).

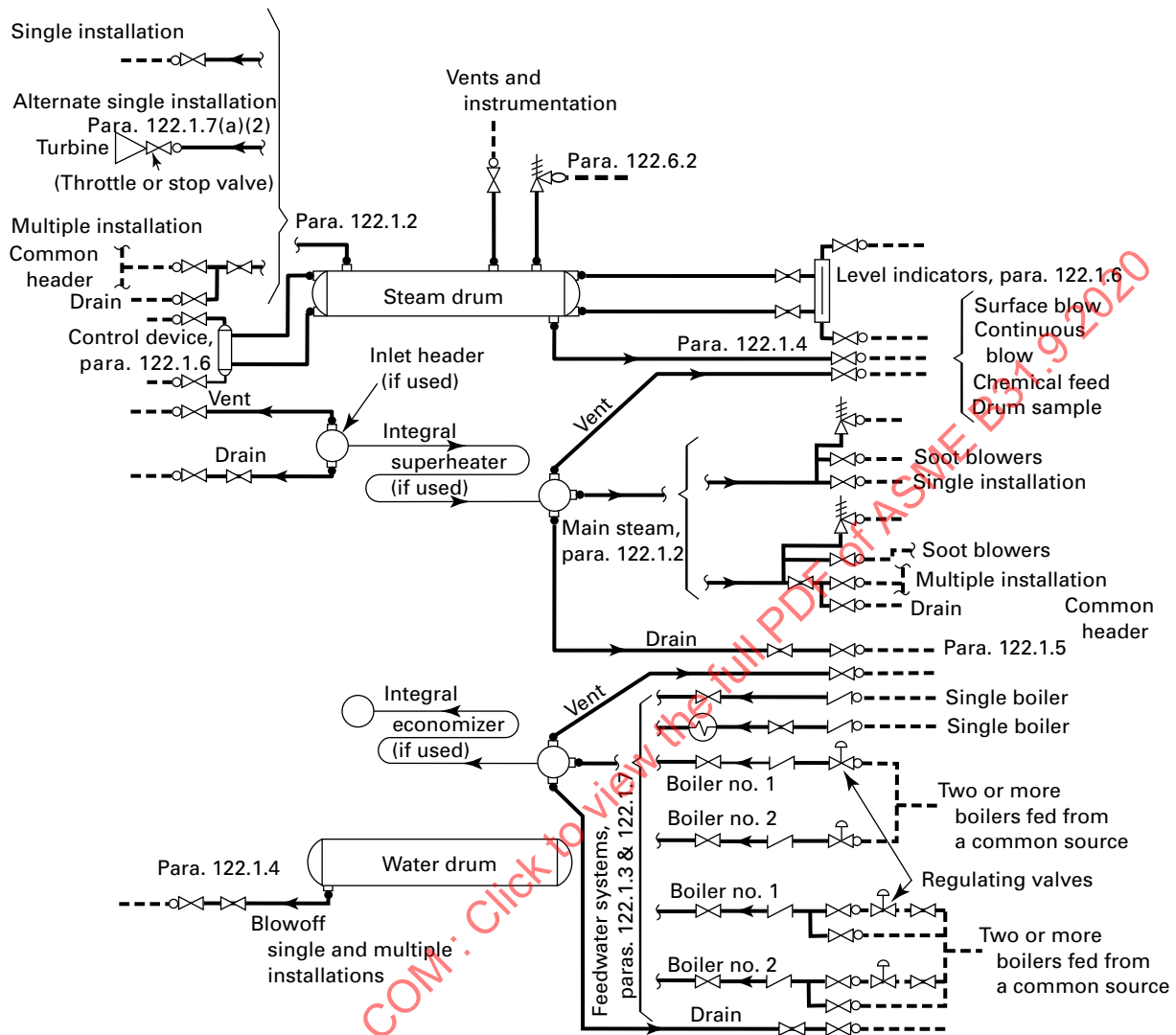
*(d) Pressure Limits.* Piping systems with working pressures not in excess of the following limits are within the scope of this Code:

- (1) steam and condensate: 150 psig (1 034 kPa gage)
- (2) liquids: 350 psig (2 413 kPa gage)
- (3) vacuum: 1 atm external pressure
- (4) compressed air and gas: 150 psig (1 034 kPa gage)



(20)

**Figure 900.1.2 Code Jurisdictional Limits for Piping — Drum-Type Boilers**



**Administrative Jurisdiction and Technical Responsibility**

- Boiler Proper — The ASME Boiler and Pressure Vessel Code (ASME BPVC) has total administrative jurisdiction and technical responsibility. Refer to ASME BPVC, Section I, Preamble.
- — Boiler External Piping and Joint (BEP) — The ASME BPVC has total administrative jurisdiction (mandatory certification by stamping the Certification Mark with the appropriate Designator, ASME Data Forms, and Authorized Inspection) of BEP. The ASME Section Committee B31.1 has been assigned technical responsibility. Refer to ASME BPVC, Section I, Preamble and ASME B31.1 Scope, para. 100.1.2(a). Applicable ASME B31.1 editions are referenced in ASME BPVC, Section I, PG-58.3.
- - - - Nonboiler External Piping and Joint (NBEP) — The ASME Code Committee for Pressure Piping, B31, has total administrative jurisdiction and technical responsibility.

(e) *Temperature Limits.* Piping systems with working temperatures not in excess of the following limits are within the scope of this Code:

- (1) steam and condensate: 366°F (186°C)
- (2) other gases and vapors: 200°F (93°C)
- (3) other nonflammable liquids: 250°F (121°C)

The minimum temperature for all services is 0°F (–18°C).

**900.1.3 Exclusions.** This Code does not apply to economizers, heaters, pumps, tanks, heat exchangers, and equipment covered by the ASME Boiler and Pressure Vessel Code (BPVC).

- (20) **900.1.4 Units of Measure.** This Code states values in both USC and SI units. Within the text, the SI units are shown in parentheses. The values stated in each system are not exact equivalents; therefore, each system of units should be used independently of the other.

When separate equations are provided for USC and SI units, those equations shall be executed using variables in the units associated with the specific equation. The results obtained from execution of these equations may be converted to other units.

When necessary to convert from one system of units to another, conversion should be made by rounding the values to the number of significant digits of implied precision in the starting value, but not less than four significant digits for use in calculations.

- (20) **900.2 Terms and Definitions**

*adhesive bond:* a union of materials by means of an adhesive.

*anchor:* a structural attachment device or mechanism that prevents the movement of pipe due to thermal expansion, expansion joint thrust, and other loads.

*arc welding:* a group of welding processes that produce coalescence of metals by heating them with an arc, with or without the use of filler metal.

*assembly:* the joining together of two or more piping components.

*automatic welding:* welding with equipment that performs the welding operation without constant observation and adjustment of controls by a welding operator. The equipment may or may not perform the loading and unloading of the work.

*backing:* material placed at the root of a weld joint to support molten weld metal.

*backing ring:* backing in the form of a ring.

*ball or swivel joint:* a joint that permits pipe motion by means of rotation.

*base metal (material):* the metal (material) to be welded, brazed, soldered, or cut.

*boiler external piping (BEP):* see [para. 900.1.2\(b\)](#).

*branch connection:* the attachment of the end of a branch pipe to the run of a main pipe, with or without the use of a fitting. [Figure 927.4.6-1](#) shows typical branch connections that do not use fittings.

*braze welding:* a joining process that produces coalescence of metals by using a filler metal whose liquidus is above 800°F (427°C) and below the solidus of the base metals. Unlike brazing, the filler metal is *not* distributed in the joint by capillary attraction.

*brazing:* a joining process that produces coalescence of metals by heating to a suitable temperature and by using a filler metal whose liquidus is above 800°F (427°C) and below the solidus of the base metals. The filler metal is distributed by capillary attraction between closely fitted joint surfaces.

*brine:* a liquid used for the transmission of heat without change of state in cooling systems, which is nonflammable or has a flash point above 150°F (66°C) as determined by the method of ASTM D93.

*brittle failure:* a pipe failure mode that exhibits no material deformation visible to the naked eye, e.g., stretching, elongation, or necking down, in the area of the break.

*butt joint:* a joint between two members aligned approximately in the same plane.

*chilled water:* water or an antifreeze solution used as a brine at a supply temperature below 60°F (16°C).

*coalescence:* the growing together or growth into one body of materials being welded, brazed, or soldered.

*combustible liquid:* a liquid having a flash point at or above 100°F (38°C).

*consumable insert:* backing in the form of filler metal that is melted into the root of the weld and fused with the base metals.

*contractor:* the entity responsible for fabrication and installation of piping and associated equipment.

*crack:* a fracture-type imperfection characterized by a sharp tip and high ratio of length and depth to opening displacement.

*DN:* metric designated pipe size. The number is the millimeter approximation of the inch pipe size using 1 in. equal to 25 mm. The pipe is still manufactured in inch sizes.

*defect:* an imperfection that by nature or accumulated effect renders a part of the piping unable to meet minimum applicable acceptance standards or specifications. A defect is cause for rejection.

*deposited metal:* filler metal that has been added during a welding operation.

*design pressure:* the pressure, equal to or greater than the highest working pressure, used to determine the minimum permissible wall thickness or component rating. See [para. 901.2](#).

*design temperature*: the temperature equal to or higher than the highest working temperature, used in determining the required wall thickness or component rating. See [para. 901.3](#).

*design thickness*: the sum of the minimum thicknesses required by the design conditions and corrosion, mechanical, and other allowances.

*employer*: the owner, manufacturer, fabricator, contractor, assembler, or installer responsible for the welding, brazing, and NDE performed by their organization, including procedure and performance qualifications.

*engineer*: the engineer as agent of the owner is the party responsible for design of piping systems to meet operating and safety standards.

*engineering design*: the detailed design for a piping installation, developed from the building systems requirements and conforming to Code requirements, including necessary drawings and specifications.

*equipment connection*: an integral part of equipment such as boilers, pressure vessels, heat exchangers, and pumps designed for attachment of piping.

*erection*: the complete installation of a piping system, including field fabrication and assembly.

*examination*: any of a number of quality control operations that use visual or other methods to reveal imperfections (indications) and to evaluate their significance.

*examiner*: a person employed by the piping manufacturer, fabricator, or erector who is competent to perform examinations.

*expansion joint*: a component installed in a piping system for the purpose of absorbing dimensional changes, such as those caused by thermal expansion or contraction.

*fabrication*: bending, forming, cutting, machining, and joining of piping components into integral subassemblies ready for erection. Fabrication may be performed in the shop or in the field.

*face of weld*: the exposed surface of a weld on the side from which the welding was done.

*filler metal (material)*: metal (material) to be added in welding, brazing, braze welding, or soldering.

*fillet weld*: a weld of approximately triangular cross section joining two surfaces approximately at right angles.

*flammable liquid*: a liquid having a closed cup flash point below 100°F (38°C).

*flux*: material used to dissolve, to prevent accumulation of, or to facilitate removal of oxides and other undesirable substances during welding, brazing, or soldering.

*flux-cored arc welding (FCAW)*: an arc welding process that employs a continuous tubular filler metal (consumable) electrode having a core of flux for shielding. Added

shielding may or may not be obtained from an externally supplied gas or gas mixture.

*full fillet weld*: a fillet weld whose size is equal to the thickness of the thinner member joined. See *size of weld*.

*fusion*: the melting together of filler and base material, or of base material only, that results in coalescence.

*gas metal arc welding (GMAW)*: an arc welding process that employs a continuous solid filler metal (consumable) electrode. Shielding is obtained entirely from an externally supplied gas or gas mixture. (Some methods of this process have been called MIG or CO<sub>2</sub> welding.)

*gas pocket*: see *porosity*, the preferred term.

*gas tungsten arc welding (GTAW)*: an arc welding process that employs a tungsten (nonconsumable) electrode. Shielding is obtained from a gas or gas mixture. Pressure may or may not be used and filler metal may or may not be used. (This process has sometimes been called TIG welding.)

*gas welding*: see *oxyfuel gas welding*.

*groove weld*: a weld made in the groove between two members.

*header*: see *main*.

*heat-affected zone (HAZ)*: that portion of the base metal that has not been melted but whose mechanical properties or microstructure has been altered by the heat of welding, brazing, soldering, forming, or cutting.

*heat fusion*: a joining process in which melted surfaces of plastic pipe and fittings are engaged and held together under moderate pressure until cool.

*imperfection*: an abnormality or indication found during examination or inspection that is not necessarily a cause for rejection. See also *defect*.

*inert gas*: a gas that does not combine with or affect the base material or filler material.

*inert gas metal arc welding*: see *gas metal arc welding*, the preferred term.

*inspection*: any operation performed to assure the owner that the materials, components, fabrication, and installation are in accordance with the engineering design. Inspection may include review of certifications, welding procedure and welder qualifications, records of examinations and testing, and any examination that may be required by the engineering design.

*inspector*: the owner, or a person representing the owner (not employed by the manufacturer, fabricator, or erector when different from the owner), who performs an inspection.

*joint design*: the joint geometry together with the required dimensions.

*joint penetration*: the minimum depth a groove weld extends from its face into a joint, exclusive of reinforcement. Joint penetration may include root penetration. See *root penetration*.

*liquidus*: the lowest temperature at which a metal or alloy is completely liquid.

*main*: as used in this Code, a section of pipe to which a branch or branches are connected.

*manual welding*: welding wherein the entire welding operation is performed and controlled by hand.

*manufacturer's weld line*: for integrally reinforced branch connection fittings, the apex of the weld preparation bevel angle and the secondary bevel angle. See [Figure 927.4.6-3](#).

*maximum allowable stress*: the maximum stress value that may be used in the design formulas for a given material and design temperature. Stress values tabulated in [Mandatory Appendix I](#) are for stress in tension.

*may*: as used in this Code, denotes permission or indifference; it is neither a requirement nor a recommendation.

*mechanical joint*: a pipe joint in which mechanical strength is developed by threaded, grooved, rolled, compressed, flared, or flanged pipe ends, with gasketed, caulked, or machined and mated surfaces for leak resistance.

*melting range*: the temperature range between solidus and liquidus of a metal.

*miter joint*: two or more straight sections of pipe joined (in pairs) on a line bisecting the angle of junction so as to produce a change in direction.

*nominal*: a dimension of a product as given in a standard or specification, prior to consideration of tolerances; also, a designated size or rating, not necessarily an actual measurement.

*nominal thickness*: the thickness given in the product specification to which manufacturing tolerances are applied.

*NPS*: nominal pipe size.

*owner*: the party or organization responsible for the construction and operation of a facility. The owner is usually the one who has applied for, or who has been granted, a construction permit or operating license by the regulatory authority having jurisdiction.

*oxidizing flame*: an oxyfuel gas flame having an oxidizing effect due to excess oxygen.

*oxyacetylene welding (OAW)*: a gas welding process in which coalescence is produced by heating with a gas flame or flames obtained from the combustion of acetylene with oxygen, with or without the application of pressure and with or without the use of filler metal.

*oxyfuel gas welding (OFW)*: a group of welding processes in which coalescence is produced by heating with a flame or flames obtained from the combustion of fuel gas with

oxygen, with or without the application of pressure, and with or without the use of filler metal.

*oxygen cutting (OC)*: a group of cutting processes used to sever or remove metals by means of the reaction of oxygen with the base metal at elevated temperatures. In the case of oxidation-resistant metals, the reaction is facilitated by use of a chemical flux or metal powder.

*pass*: a single progression of a welding or surfacing operation along a joint, weld deposit, or substrate. The result of a pass is a weld bead, layer, or spray deposit.

*peel test*: a destructive method of examination that mechanically separates a lap joint by peeling.

*peening*: the mechanical working of metals using impact blows.

*pipe*: a pressure-tight cylinder used to convey a fluid or a fluid pressure, ordinarily designated *pipe* in applicable material specifications. Materials designated *tube* or *tubing* in the specifications are treated as pipe when intended for pressure service.

*pipe alignment guide*: a restraint in the form of a sleeve or frame that permits the pipeline to move freely only along the axis of the pipe. See *restraint*.

*pipe-supporting elements*: these include the following:

*fixtures*: elements that transfer the load from the pipe or structural attachment to the support structure or equipment.

*structural attachments*: brackets, clips, lugs, or other elements welded, bolted, or clamped to the pipe. Support structures such as stanchions, towers, building frames, and foundations, and equipment such as vessels, exchangers, and pumps, are not considered pipe-supporting elements.

*piping*: assemblies of pipe and piping components used to convey, distribute, mix, separate, discharge, meter, and control fluid flows. Piping also includes pipe-supporting elements, but does not include support structures, such as building frames, bents, foundations, or any equipment excluded from this Code.

*piping components*: mechanical elements suitable for joining or assembly of pipe into pressure-tight fluid-containing piping systems. Components include fittings, flanges, gaskets, bolting, valves, and devices such as expansion joints, flexible joints, pressure hoses, traps, strainers, in-line portions of instruments, and separators.

*piping system*: interconnected piping subject to the same set or sets of design conditions.

*porosity*: cavity-type imperfections formed by gas entrapment during solidification of weld metal.

*postheating*, also called *postweld heat treatment (PWHT)*: the application of heat to an assembly after a welding, brazing, soldering, cutting, or forming operation.



*preheating (PH)*: the application of heat to the base metal immediately before welding, brazing, soldering, cutting, or forming.

*procedure*: the detailed elements (with prescribed values or range of values) of a process or method used to produce a specific result.

*procedure qualification*: the demonstration that welds or other work produced by a specified procedure can meet prescribed standards.

*purge gas*: the replacement of air within a piping system with an inert gas; may be required by the Welding Procedure Specification prior to making a gas tungsten arc weld.

*qualification*: see preferred terms *procedure qualification* and *Welder Performance Qualification*.

*recommend*: has the same effect as *should*.

*reducing flame*: an oxyfuel gas flame having a reduced effect due to excess fuel gas.

*reinforcement*: in branch connections, reinforcement is material around a branch opening that serves to strengthen it. The material is either integral in the branch components or added in the form of weld metal, a pad, a saddle, or a sleeve. In welding, reinforcement is weld metal in excess of the specified weld size.

*restraint*: a structural attachment, device, or mechanism that limits movement of the pipe in one or more directions. See *pipe alignment guide*.

*reverse polarity*: the arrangement of direct current arc welding leads with the work as the negative pole and the electrode as the positive pole of the welding arc; a synonym for direct current electrode positive.

*root opening*: the separation between members to be joined at the root of the joint.

*root penetration*: the depth that a weld extends into the root of a joint measured on the centerline of the root cross section.

*root reinforcement*: weld reinforcement at the side other than that from which welding was done.

*root surface*: the exposed surface of a weld on the side other than that from which welding was done.

*run*: see *main*.

*seal weld*: a fillet weld used on a pipe joint primarily to obtain fluid tightness as opposed to mechanical strength; usually used in conjunction with a threaded joint.

*semiautomatic arc welding*: arc welding with equipment that controls only the filler metal feed. The advance of the welding is manually controlled.

*shall*: used to indicate that a provision or prohibition in this Code is required, i.e., mandatory.

*shielded metal arc welding (SMAW)*: an arc welding process in which coalescence is produced by heating with an electric arc between a covered metal electrode and the work. Shielding is obtained from decomposition of the electrode covering. Pressure is not used and filler metal is obtained from the electrode.

*should*: used to indicate that a provision of this Code is not required but represents good practice.

*single-welded butt joint*: a butt joint welded from one side only.

*size of weld*:

NOTE: When one member makes an angle with the other member greater than 105 deg, the leg length (size) is of less significance than the effective throat, which is the controlling factor in the strength of the weld.

*fillet weld*: for an equal leg fillet weld, the leg length of the largest isosceles right triangle that can be inscribed within the fillet weld cross section. For an unequal leg fillet weld, the leg lengths of the largest right triangle that can be inscribed within the fillet weld cross section.

*groove weld*: the joint penetration (depth of bevel plus root penetration when specified). The size of a groove weld and its effective throat are the same.

*slag inclusion*: nonmetallic solid material trapped in the weld metal or between the weld metal and base metal.

*solder*: a filler metal used in soldering that has a liquidus not exceeding 800°F (427°C).

*soldering*: a group of joining processes that produces coalescence of metals by heating them to a suitable temperature and by using a filler metal having a liquidus not exceeding 800°F (427°C) and below the solidus of the base metals.

*solidus*: the highest temperature at which a metal or alloy is completely solid.

*solvent cement*: a solvent adhesive that dissolves or softens the surface being bonded so that the assembly becomes essentially a single fused piece.

*solvent cementing*: joining plastic parts by use of the appropriate solvent cement.

*spacer strip*: a metal strip or bar prepared for a groove weld and inserted in the root of a joint to serve as a backing and to maintain root opening during welding; it can also bridge an exceptionally wide gap due to poor fit-up.

*splatter*: in arc and gas welding, the metal particles expelled during welding that do not form part of the weld.

*straight polarity*: the arrangement of direct current arc welding leads in which the work is the positive pole and the electrode is the negative pole of the welding arc; a synonym for direct current electrode negative.

*stringer bead*: a type of weld bead made without appreciable weaving motion. See also *weave bead*.

*submerged arc welding (SAW)*: an arc welding process that produces coalescence of metals by heating them with an arc or arcs drawn between a bare metal electrode or electrodes and the base metals. The arc is shielded by a blanket of granular fusible material. Pressure is not used and filler metal is obtained from the electrode and sometimes from a supplementary welding rod.

*supplemental steel*: structural members that frame between existing building framing steel members and are significantly smaller in size than the existing steel.

*tack weld*: a weld made to hold parts in proper alignment until final welds are made.

*thermoplastic*: a plastic that is capable of being repeatedly softened by heating and hardened by cooling, and whose change upon heating is substantially physical.

*thermosetting resin*: a plastic that, when cured by heat or chemical means, changes into a substantially infusible, insoluble product.

*throat of a fillet weld*:

*actual*: the shortest distance from the root of a fillet weld to its face.

*theoretical*: the perpendicular distance from the beginning of the root of the joint to the hypotenuse of the largest right triangle that can be inscribed within the fillet weld cross section.

*thrust block*: a type of anchor consisting of a concrete block bearing against earth, usually used on an underground pipeline.

*toe of weld*: the junction between the face of a weld and the base metal.

*tungsten electrode*: a nonconsumable electrode used in arc welding, consisting of a tungsten wire.

*undercut*: a groove melted into the base metal adjacent to the toe or root of a weld, and left unfilled by weld metal.

*weave bead*: a type of weld bead made with transverse oscillation.

*welder*: one who is capable of performing a manual or semiautomatic welding operation.

*welder certification*: the action of determining, verifying, or attesting in writing that a welder is qualified to produce welds that can meet prescribed standards.

*Welder Performance Qualification*: demonstration of a welder's ability to produce welds in a manner described in a Welding Procedure Specification that meets prescribed standards.

*welding*: a process in which a localized coalescence of metal is produced by heating to a suitable temperature, with or without pressure and with or without the use of filler metal. The filler metal has a melting point approximately the same as the base metals.

*welding operator*: one who operates a welding machine or automatic welding equipment.

*welding procedure*: the detailed methods and practices, including all joint welding procedures, involved in making a welded joint.

*Welding Procedure Qualification*: demonstration that welds made in a manner described in the Welding Procedure Specification will meet prescribed standards. The Procedure Qualification Record (PQR) describes the materials, methods, and results of the test.

*Welding Procedure Specification (WPS)*: the written form of the welding procedure for making a specified kind of a welded joint using specified base and filler metals.

*wetting*: the condition in which a liquid filler metal or flux forms a zero angle of contact on a solid base metal surface.

### 900.3 Nomenclature

Symbols used in this Code are listed here with definitions. Upper- and lowercase English letters precede Greek letter symbols.

$A$  = thickness allowance for corrosion (see para. 902.4.1), for mechanical joint preparation (see para. 902.4.2), or for mechanical strength (see para. 902.4.4), in. (mm)

$a$  = weld size (attachment weld, back of slip-on or socket welding flange), in. (mm)

$B$  = internal area, greatest of pipe or expansion joint bellows, in.<sup>2</sup> (m<sup>2</sup>)

$b$  = weld size (attachment weld, face of slip-on flange), in. (mm)

$C$  = head or closure factor, dimensionless

$D$  = outside pipe diameter, as measured or per dimensional standard, in. (mm)

$d$  = inside pipe diameter ( $D - 2T$ ), for use in closure and branch connection reinforcement calculations, in. (mm)

$d_g$  = inside diameter of gasket on raised- or flat-face (plain) flanges; or gasket pitch diameter for ring joint and fully retained gasketed flanges, in. (mm)

$D_n$  = diameter equal to nominal pipe size, in. (mm)

$E$  = longitudinal or spiral welded joint efficiency factor, dimensionless (Table 902.4.3)

$e$  = coefficient of thermal expansion, in./in./°F (mm/mm/°C)

$E_m$  = modulus of elasticity, psi (kPa) (Table 919.3.1)

$F$  = casting quality factor, dimensionless

$f$  = stress range reduction factor for cyclic conditions, dimensionless

$h$  = thread depth in ASME B1.20.1, in. (mm)

$I$  = moment of inertia, in.<sup>4</sup> (mm<sup>4</sup>)

ksi = kips (1,000 lb) per square inch (MPa)

$L$  = developed length of pipe axis between anchors, ft (m)

$L_S$  = length of pipe between supports or guides, ft (m)

|  |  |
|--|--|
| $N$ = number of stress or thermal cycles, dimensionless  | $S_L$ = longitudinal compressive stress, psi (kPa)   |
| $P$ = internal design pressure, psig (kPa gage)  | $S_{LP}$ = longitudinal stress due to pressure, psi (kPa)  |
| $Q$ = force to overcome spring rate or friction of expansion joint and guides, pounds-force (lb/ft) (N/mm)   | $SE$ = maximum allowable stress in material due to internal pressure, considering joint efficiency factor $E$ at design temperature, psi (kPa) |
| $R$ = anchor or support reaction, lbf (N)  | $T$ = measured or minimum specification wall thickness, exclusive of corrosion allowance, in. (mm)   |
| $R_1$ = effective radius of miter joint; the shortest distance from the pipe centerline to the intersection of planes of adjacent miter joints, in. (mm) | $t_c$ = minimum required thickness of flat head, closure, or blank, in. (mm)   |
| $r_2$ = mean radius of pipe, based on nominal dimensions, in. (mm)   | $t_m$ = minimum required wall thickness, in. (mm) (see <a href="#">para. 904.1.1</a> )   |
| $S$ = basic allowable stress value prior to applying joint factor $E$ , psi (kPa)  | $T_n$ = nominal pipe thickness, in. (mm)   |
| $S_A$ = allowable stress range, psi (kPa) [see <a href="#">para. 902.3.2(c)</a> ]  | $t_w$ = weld throat size, in. (mm)   |
| $S_c$ = basic material allowable stress prior to applying joint factor $E$ , at minimum (cold) normal temperature, psi (kPa)                             | $U$ = distance between anchors, measured in a straight line, ft (m)  |
| $S_E$ = computed expansion stress range, psi (kPa)   | $\nu$ = Poisson's ratio, dimensionless   |
| $S_F$ = maximum allowable stress in material due to internal pressure considering casting quality factor at design temperature, psi (kPa)                | $Y$ = resultant thermal movement to be absorbed by piping system, in. (mm)   |
| $S_h$ = basic material allowable stress prior to applying joint factor $E$ , at maximum (hot) normal temperature, psi (kPa)                              | $\alpha$ = lesser angle between axis of branch and axis of main, deg   |
|  | $\Delta T$ = temperature difference, °F (°C)   |
|  | $\theta$ = angle of miter cut (one-half the change in direction at a miter joint), deg   |

ASMENORMDOC.COM : Click to view the full PDF of ASME B31.9-2020

## Chapter II Design

### PART 1 CONDITIONS AND CRITERIA

#### 901 DESIGN CONDITIONS

##### 901.1 General

These design conditions define the pressures, temperatures, and other conditions applicable to the design of building services piping. Such systems shall be designed for the most severe conditions of coincident pressure, temperature, and loading anticipated under any conditions of normal operation, including start-up and shut-down. The most severe condition shall be that which results in the greatest required wall thickness and the highest component rating.

##### 901.2 Pressure

Pressures referred to in this Code are expressed in pounds-force per square inch (psi) or kilopascals (kPa) gage, unless otherwise stated.

**901.2.1 Internal Design Pressure.** The internal design pressure, including the effects of static head, shall not be less than the maximum sustained fluid operating pressure within the piping system. Consideration should be given to possible pressure surges. Pump shutoff pressures shall be considered.

**901.2.2 External Design Pressure.** Piping subject to external pressure shall be designed for the maximum differential pressure anticipated in normal operation.

**901.2.3 Required Containment or Relief.** Provision shall be made to safely contain or relieve excessive pressure to which the piping may be subjected. Piping not protected by a pressure-relieving device, or that can be isolated from a pressure-relieving device, shall be designed for at least the highest pressure that can be developed.

##### 901.3 Temperature

Temperatures referred to in this Code are the temperatures of piping materials expressed in degrees Fahrenheit (Celsius), unless otherwise stated. The piping shall be designed for a temperature representing the maximum condition expected.

The temperature of the piping materials is considered to be the same as that of the fluid in the piping.

##### 901.4 Ambient Influences

**901.4.1 Cooling Effects on Pressure.** Where the cooling of a fluid may reduce the pressure in the piping to below atmospheric, the piping shall be designed to withstand the external pressure, or provision shall be made to break the vacuum.

**901.4.2 Fluid Expansion Effects.** Where the expansion of a fluid may increase the pressure, the piping system shall be designed to withstand the increased pressure, or provision shall be made to relieve the excess pressure.

##### 901.5 Dynamic Effects

(a) *General.* Piping shall be designed, arranged, and supported with due consideration of vibration, hydraulic shock, wind, and earthquake.

(b) *Seismic Analysis.* Seismic analysis and design for pipe supports and related structures shall be in accordance with the requirements of the governing building code for the jurisdiction in which the work is being performed.

##### 901.6 Thermal Expansion and Contraction Loads

When a piping system is prevented from free thermal expansion and contraction as a result of anchors and restraints, thrusts and moments are set up that must be taken into account as set forth in [paras. 902](#) and [919](#).

#### 902 DESIGN CRITERIA

##### 902.1 General

The provisions of [para. 902](#) pertain to ratings, stress values, allowable stress criteria, design allowances, and minimum design values, and formulate the permissible variations in these factors when used in design of piping.

##### 902.2 Pressure–Temperature Design Criteria for Piping Components

###### 902.2.1 Components Having Specific Ratings

(a) *For Listed Components.* Pressure–temperature ratings have been established for certain piping components and are contained in some of the standards listed in



**Table 926.1.** These ratings are accepted for use in accordance with this Code.

(b) *For Components Not Listed.* If it is necessary to use components that do not conform to standards listed in **Table 926.1**, they shall be qualified for pressure design in accordance with the requirements of **para. 904**. In addition, they shall be used within the ratings and other service limitations given by the manufacturer.

#### 902.2.2 Components Not Having Specific Ratings.

Components conforming to some of the standards listed in **Table 926.1** are specified as having ratings equal to those of seamless pipe of corresponding material and wall thickness. For the purposes of this Code, these components shall be used as follows:

(a) Butt welding fittings shall be specified to a wall thickness at least as great as that of the pipe to which they are to be connected.

(b) Forged steel or alloy threaded and butt welding fittings shall be specified in the nominal pressure class at least as great as that listed for the wall thickness of pipe to which they are to be connected.

**902.2.3 Ratings, Normal Design Conditions.** A piping system shall be considered safe for operation if the maximum pressure that may act on any part or component of the system does not exceed the maximum pressure allowed by this Code, at the design temperature for that component; or does not exceed the rated pressure at design temperature for that component in the applicable standard listed in **Table 926.1**.

**902.2.4 Ratings at Transitions.** Where piping systems operating at different design conditions are connected, a division valve shall be provided, which shall be designed for the higher pressure-temperature condition.

### 902.3 Allowable Stresses and Other Stress Limits

#### 902.3.1 Allowable Stress Values

(a) *General.* The allowable stresses to be used for design calculations shall conform to those in **Mandatory Appendix I**, unless modified by other requirements of this Code.

For pipe and tube that do not contain longitudinal or spiral joints, **Mandatory Appendix I** shows the basic allowable stress,  $S$ .

For pipe and tube that contain longitudinal or spiral joints, **Mandatory Appendix I** shows the product of  $S$  and the longitudinal or spiral joint factor,  $E$ .  $SE$  is then the allowable stress. For such materials, divide the value shown in the table by  $E$  to obtain  $S$  for Code computations in which the joint factor need not be considered.

Allowable stresses for materials not listed in **Mandatory Appendix I** shall be as listed in ASME B31.1 or shall be determined using the bases in (b) through (f), as applicable.

(b) *For Cast Iron.* Basic allowable stress values at temperature for cast iron (except as covered in **para. 904.1.2**) shall not exceed the lower of the following:

(1) one-tenth of specified minimum yield strength at room temperature

(2) one-tenth of tensile strength at temperature<sup>1</sup>

(c) *For Malleable and Ductile Iron.* Basic allowable stress values at temperature for malleable and ductile iron shall not exceed the lower of the following:

(1) one-fifth of specified minimum tensile strength at room temperature

(2) one-fifth of tensile strength at temperature<sup>1</sup>

(d) *Other Metals.* Basic allowable stress values for materials other than bolting materials, cast iron, and malleable iron shall not exceed the lowest of the following:

(1) one-fourth of specified minimum tensile strength at room temperature

(2) one-fourth of tensile strength at temperature<sup>1</sup>

(3) two-thirds of specified minimum yield strength at room temperature

(4) two-thirds of yield strength at temperature<sup>1</sup>

(e) *Thermoplastics.* The basic allowable stress for pressure design only of thermoplastic materials shall be one-half the hydrostatic design basis at the design temperature, as determined from test data obtained in accordance with ASTM D1598 or analyzed in accordance with ASTM D2837.

(f) *Reinforced Thermoset Resins.* The basic allowable stress for pressure design only of RTR materials shall be one-half the hydrostatic design basis at the design temperature, as determined from test data obtained in accordance with ASTM D1598, or analyzed in accordance with Procedure B of ASTM D2992. Data obtained by the method of ASTM D2143 may be used if analyzed by Procedure A of ASTM D2992.

(g) *Shear and Bearing Stresses.* Allowable stress values in shear shall be 0.80 times  $S$ , and allowable stress values in bearing shall be 1.60 times  $S$ .

(h) *Pipe Support Elements.* For allowable stresses, see **para. 921.1.1**.

#### 902.3.2 Limits of Calculated Stresses Due to Sustained Loads and Thermal Expansion or Contraction

(a) *Internal Pressure Stresses.* The calculated stress due to internal pressure shall not exceed the allowable stress values  $SE$  given in **Mandatory Appendix I** except as permitted elsewhere in **para. 902.3**.

(b) *External Pressure Stresses.* Stresses due to external pressure shall be considered acceptable when the wall thickness of the piping component and its means of stiffening meet the requirements of **paras. 903** and **904**.

<sup>1</sup> The tensile (or yield) strength at temperature is derived by multiplying the average expected tensile (or yield) strength at temperature by the ratio of the specified minimum tensile (or yield) strength at room temperature to the average expected tensile (or yield) strength at room temperature.

**Table 902.4.3 Joint Factors,  $E$** 

| Type of Longitudinal or Spiral Joint  | Weld Joint Efficiency Factor, $E$ |
|---|-----------------------------------|
| Single butt weld  | 0.80                              |
| Double butt weld  | 0.90                              |
| Single or double butt weld with 100% radiography or ultrasonic examination [Note (1)] | 1.00                              |
| Electric resistance weld  | 0.85                              |
| Furnace butt weld (or continuous weld)  | 0.60                              |
| ASTM A211 spiral joint  | 0.75                              |

NOTE: (1) Acceptance standards are those in ASME B31.1.

(c) *Stresses Due to Expansion and Contraction.* The allowable stress range  $S_A$  for expansion stresses in systems stressed primarily in bending and torsion shall be determined in accordance with ASME B31.1, para. 102.3.2(b), using basic allowable stresses  $S$  from [Mandatory Appendix I](#) of this Code.

(d) *Additive Stresses.* The sum of the longitudinal stresses due to pressure, weight, and other sustained loads shall not exceed the allowable stress in the hot condition  $S_h$ . Where the sum of these stresses is less than  $S_h$ , the difference between  $S_h$  and this sum may be added to the term  $0.25S_h$  in eq. (1A) of ASME B31.1, para. 102.3.2(b) for determining the allowable stress range  $S_A$ .

(e) *Longitudinal Pressure Stress.* The longitudinal pressure stress  $S_{LP}$  is determined by dividing the end force due to internal pressure by the cross-sectional area of the pipe wall.

### 902.3.3 Limits of Calculated Stresses Due to Occasional Loads

(a) *Operation.* The sum of the longitudinal stresses produced by pressure, live and dead loads, and occasional loads, such as wind or earthquake, shall not exceed 1.33 times the allowable stress values  $S$  in [Mandatory Appendix I](#). It is not necessary to consider wind and earthquake as occurring concurrently.

(b) *Test.* Stresses due to test conditions are not subject to the limitations of [para. 902.3](#). It is not necessary to consider other occasional loads, such as wind and earthquake, as occurring concurrently with the live, dead, and test loads existing at the time of the test.

## 902.4 Allowances

**902.4.1 Corrosion or Erosion.** When corrosion or erosion is expected, the wall thickness shall be increased over that required by other design requirements, unless other means of corrosion control such as coatings or cathodic protection are relied on. This allowance shall be consistent with the expected life of the piping, as judged by the engineer.

**902.4.2 Threading and Grooving.** The calculated minimum thickness of metallic pipe or tubing that is to be threaded shall be increased by an allowance equal to thread depth, dimension  $h$  in ASME B1.20.1, or equivalent. For machined surfaces or grooves if the tolerance is not specified, it shall be assumed to be  $\frac{1}{64}$  in. (0.4 mm) in addition to the specified depth of cut.

For plastic pipe, the recommendations for threading and derating in the applicable standard listed in [Table 926.1](#) shall be followed.

**902.4.3 Joint Efficiency Factors.** Longitudinal or spiral weld joint efficiency factors are required by this Code and are included in the allowable stress values  $SE$  in [Mandatory Appendix I](#). [Table 902.4.3](#) states the factor,  $E$ , for several types of longitudinal or spiral welds.

**902.4.4 Mechanical Strength.** The wall thickness of pipe should be increased where necessary for mechanical strength to prevent damage, collapse, excessive sag, or buckling of pipe due to superimposed loads from supports or other causes; or, if this is impractical or would cause excessive local stresses, the superimposed loads shall be reduced or eliminated by other design methods.

## PART 2

### PRESSURE DESIGN OF PIPING COMPONENTS

#### 903 CRITERIA FOR PRESSURE DESIGN OF PIPING COMPONENTS

Components manufactured in accordance with the specifications and standards listed in [Table 926.1](#) or in [Mandatory Appendix I](#) shall be considered suitable for use at the pressure-temperature ratings or allowable stresses in accordance with [para. 902.2](#). Components not manufactured in accordance with those specifications and standards shall be used only in accordance with [para. 902.2.2](#).

The rules in [para. 904](#) usually are for the pressure design of components not covered in [para. 902.2](#) but may be used for a more rigorous or special design of components covered in [para. 902.2](#). The designs shall be checked for adequacy of mechanical strength under applicable loadings stated in [para. 901](#).

#### 904 PRESSURE DESIGN OF COMPONENTS

##### 904.1 Straight Pipe

###### 904.1.1 Straight Pipe Under Internal Pressure

(a) *Steel, Alloy, and Nonferrous Pipe.* The minimum wall thickness of pipe wall, including allowances, shall not be less than that determined by [eq. \(1\)](#).

$$t_m = \frac{PD}{2SE} + A \quad (1)$$

**Table 904.2.1 Pipe Thickness for Bends**

| Radius of Bends,<br>Pipe Diameters, $D_n$<br>[Note (1)] | Minimum Thickness, $t_m$ ,<br>Recommended<br>Prior to Bending |
|---|---|
| 6 or greater  | 1.06  |
| 5   | 1.08  |
| 4   | 1.14  |
| 3   | 1.24  |

NOTE: (1) Interpolation is permissible for a radius other than those listed.

Design pressure shall not exceed that determined by eq. (2).

$$P = \frac{2SE(t_m - A)}{D} \quad (2)$$

The engineer may, as an option, use the values of  $t_m$  and  $P$  determined by the applicable equations in ASME B31.1.

(1) If pipe is ordered by its nominal wall thickness, the manufacturing tolerances on wall thickness must be taken into account. After the minimum wall thickness,  $t_m$ , is determined, this minimum thickness shall be increased to provide the manufacturing tolerance allowed in the applicable pipe specification. The next heavier commercial wall thickness shall then be selected.

(2) When computing the design pressure for a pipe of a definite minimum wall thickness,  $t_m$ , the value of pressure obtained by eq. (2) may be rounded to the next higher increment of 10 psi (69 kPa).

(b) *Ductile Iron Pipe.* The thickness of ductile iron pipe shall be determined from one of the following:

- (1) ANSI/AWWA C150/A21.50 or C151/A21.51
- (2) ANSI A21.14 or A21.52
- (3) Federal Specification WW-P-421

The tabulated thicknesses in these standards include allowances for foundry tolerances and water hammer.

(c) *Straight Nonmetallic Pipe.* The maximum pressure ratings for plastic and other nonmetallic pipe shall be as given in the applicable standards listed in Table 926.1.

**904.1.2 Straight Metallic Pipe Under External Pressure.** In determining wall thickness and stiffening requirements for straight pipe under external pressure, the procedures outlined in ASME BPVC, Section VIII, Division 1, UG-28 shall be followed.

## 904.2 Curved and Mitered Segments of Pipe

### 904.2.1 Pipe Bends

(a) *Thickness of Bends.* The minimum wall thickness,  $t_m$ , at any point in a completed pipe bend shall not be less than that required by para. 904.1.1. Table 904.2.1 may be used as a guide in specifying wall thickness for ordering pipe to be bent.

(b) *Flattening of Bends.* Flattening of a bend, as measured by the difference of maximum and minimum diameters, shall not exceed 8% of the average measured outside diameter of the pipe before bending.

Greater flattening may be permitted or less flattening may be required if specified by the engineering design.

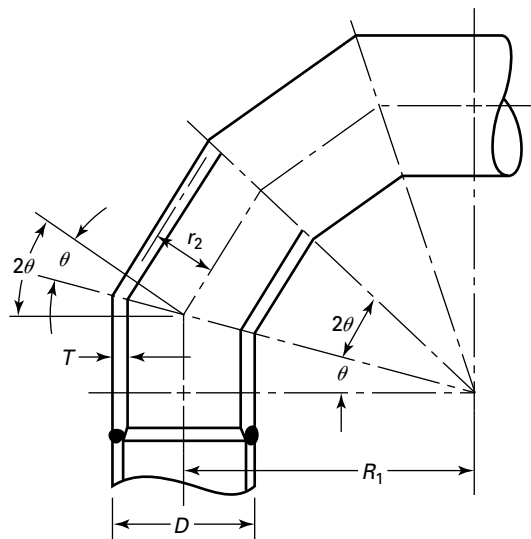
**904.2.2 Miter Joints.** Thickness determined in accordance with para. 904.1.1 does not allow for discontinuity stresses at the joint between mitered segments of pipe. These discontinuity stresses are negligible for miter angles of 3 deg or less in any service, and may be neglected for miters in nonflammable, nontoxic liquid service at pressures of 50 psig (345 kPa gage) or less, and for unvalved vents to atmosphere. See Figure 904.2.2 for nomenclature.

(a) *Allowable Pressure.* For other services and for pressures in excess of 50 psig (345 kPa gage), the maximum allowable pressure for miter joints where  $\theta$  does not exceed  $22\frac{1}{2}$  deg shall be the lower positive value calculated by eqs. (3A) and (3B).

$$P = \frac{SET}{r_2} \left( \frac{T}{T + 0.64 \tan \theta \sqrt{r_2 T}} \right) \quad (3A)$$

$$P = \frac{SET}{r_2} \left( \frac{R_1 - r_2}{R_1 - 0.5r_2} \right) \quad (3B)$$

Equations (3A) and (3B) apply only when  $R_1$  is at least as great as the value calculated by eq. (4).

**Figure 904.2.2 Nomenclature for Miter Joints**

(U.S. Customary Units)

$$R_1 = \frac{1}{\tan \theta} + \frac{D}{2} \quad (4)$$

(SI Units)

$$R_1 = \frac{25.4}{\tan \theta} + \frac{D}{2}$$

(b) *Other Miters.* Miter joints not covered in (a) shall meet the requirements of para. 904.7.

### 904.3 Branch Connections

**904.3.1 General.** In para. 904.3, requirements are presented for design of branch connections in which the angle between the axes of the branch and main is 45 deg to 90 deg, inclusive, and the axes intersect. Branch connections may be made by any of the following methods:

(a) *Fittings.* Tees, extruded outlets, laterals, crosses, etc., manufactured in accordance with a standard listed in Table 926.1.

(b) *Outlet Fittings.* Cast or forged, integrally reinforced, welding outlet fittings, nozzles, forged couplings, and similar items, attached to the main by welding.

(c) *Direct Connection to the Main.* Welding the branch pipe directly to the main, with or without added reinforcement, as shown in details of branch connections in Figures 927.4.6-1 and 927.4.6-2 and the rules of para. 904.3.2.

(d) *Mechanically Formed Tee Connections in Copper Tube.* See para. 930.2.

#### 904.3.2 Strength of Branch Connections

(a) *General.* A main having a branch connection is weakened by the branch opening. Unless the wall thicknesses of the main and branch are sufficiently in excess of that required to sustain the pressure, it is necessary to provide added reinforcement.

(b) *Multiple Openings.* In the case of multiple openings in the main, the rules of this paragraph are applicable only if the distance between their centers is at least the sum of their inside diameters,  $d$ . Otherwise, the requirements in ASME B31.1, para. 104.3.1(g)(7) shall be met.

(c) *Branch Connections Not Requiring Added Reinforcement.* It may be assumed without calculation that a branch connection has adequate strength to sustain the internal and external pressure that will be applied to it if

(1) the branch connection uses a fitting (tee, lateral, or cross) in accordance with para. 903.

(2) the branch connection is made by welding a threaded or socket-welding coupling or half coupling directly to the main, when the branch size does not exceed NPS 2 (DN 50) or one-fourth the nominal diameter of the main. The minimum wall thickness of the coupling

shall be not less than that of the unthreaded branch pipe. See Figure 927.4.6-2 for permissible welds.

(3) the branch connection is made by welding an integrally reinforced outlet fitting (having a threaded, socket, or butt-welding outlet) to the main, provided the fitting is made from materials listed in Mandatory Appendix I, and provided it has been demonstrated by full-scale internal pressure tests or other means described in para. 904.7 that the branch fitting and its joint are at least as strong as the main or branch pipes.

(4) the branch connection design pressure is less than the pressure,  $P$ , obtained from eq. (5), when solved for the configuration of the joint. The equation gives the maximum pressure allowed without reinforcement by equating the removed required area in the main to the inherent excess areas in the main and branch. If the design pressure is higher than  $P$ , see para. 904.3.3.

$$P = \frac{SE_m SE_b [T_m (D_b - 2T_b) + T_b^2 (5 + \sin \alpha)]}{SE_b D_m (D_b - 2T_b) + 5SE_m T_b D_b} \quad (5)$$

where

$D_b$  = the O.D. of the branch pipe, in. (mm)

$D_m$  = the O.D. of the main (run) pipe, in. (mm)

$P$  = the maximum pressure of the joint without reinforcement, psi (kPa)

$SE_b$  = the allowable stress for the branch pipe material, psi (kPa)

$SE_m$  = the allowable stress of the main (run) pipe material, psi (kPa) (For welded pipe,  $E = 1.0$  if the weld in the main does not intersect the branch joint.)

$T_b$  = the thickness of the branch less the manufacturing tolerance and less the corrosion allowance, if any, in. (mm)

$T_m$  = the thickness of the main net of manufacturing tolerance and a corrosion allowance, in. (mm)

$\alpha$  = the angle between the axis of the main and the axis of the branch pipe

**904.3.3 Reinforcement of Branch Connections.** If added reinforcement is required for a branch connection as determined by para. 904.3.2(c)(4), the criteria for such reinforcement and the rules for proportioning and attaching such reinforcement are given in ASME B31.1, para. 104.3.1(d).

**904.3.4 Extruded Outlet Headers.** If integrally reinforced extruded outlet headers are used, they shall be reinforced as required by ASME B31.1, para. 104.3.1(g).

### 904.4 Closures

**904.4.1 General.** Closures shall be made by use of closure fittings, such as plugs, caps, or blind flanges in accordance with para. 903, or by use of flat plate closures



such as those shown in [Figure 927.4.5-1](#). Flat plate closures shall not be secured with a single fillet weld.

The minimum required thickness,  $t_c$ , for flat plate closures is calculated by [eq. \(6\)](#).

$$t_c = d\sqrt{CP/S} + A \quad (6)$$

where

$C = 0.5t_m/T$ , but not less than 0.3

$S =$  allowable stress of closure material

**904.4.2 Openings in Closures.** Openings in closures may be made by welding, extruding, or threading. Attachment to the closure shall be in accordance with the requirements for the corresponding type of branch connection in [para. 904.3.3](#), including the need and provision for added reinforcement. If the size of the opening is greater than half the inside diameter of the closure, the opening shall be designed as a reducer in accordance with [para. 904.6](#).

### 904.5 Pressure Design of Flanges and Blanks

**904.5.1 General.** Flanges manufactured in accordance with a standard listed in [Table 926.1](#) are suitable for use in accordance with [para. 903](#). Other flanges shall be designed in accordance with ASME BPVC, Section VIII, Division 1, Mandatory Appendix 2.

**904.5.2 Blind Flanges.** Blind flanges manufactured in accordance with a standard listed in [Table 926.1](#) are suitable for use in accordance with [para. 903](#). Other blind flanges shall be designed in accordance with ASME BPVC, Section VIII, Division 1, UG-34.

**904.5.3 Blanks.** The minimum required thickness of a permanent blank installed between two flanges shall be calculated by [eq. \(7\)](#).

$$t_c = d_g\sqrt{3P/16S} + A \quad (7)$$

where

$S =$  allowable stress of blank material. Use  $S_F$  if material is a casting.

Blanks used only for testing with an incompressible fluid shall be calculated in accordance with [eq. \(7\)](#), except that  $P$  shall be the test pressure and  $S$  may be taken as 0.95 times the specified minimum yield strength of the blank material.

### 904.6 Reducers

**904.6.1 General.** Reducers manufactured in accordance with a standard listed in [Table 926.1](#) are suitable for use with pipe of the same nominal thickness.

**904.6.2 Segmented Reducers.** The minimum wall thickness of segmented (orange peel) reducers fabricated with longitudinal welds shall be determined in accordance

with [para. 904.1.2](#), using a weld joint efficiency factor of 0.6. The slope of the reducing section shall not be at an angle greater than 30 deg to the axis of the pipe.

### 904.7 Pressure Design of Other Pressure-Containing Components

**904.7.1 Listed Components.** Other pressure-containing components manufactured in accordance with a standard listed in [Table 926.1](#) are suitable for use in accordance with [para. 903](#).

**904.7.2 Unlisted Components.** Pressure-containing components not made in accordance with a specification or standard listed in [Table 926.1](#) or [Mandatory Appendix I](#) shall be substantiated by at least one of the following:

- (a) engineering calculations
- (b) experimental stress analysis such as described in ASME BPVC, Section VIII, Division 2, Part 5
- (c) proof test in accordance with ASME BPVC, Section VIII, Division 1, UG-101

If differences in size and proportion are small, components may be designed by interpolation between similar configurations that have been proven by one of the procedures described above, or that conform to a listed standard.

## PART 3

### SELECTION AND LIMITATION OF COMPONENTS

#### 905 PIPE

##### 905.1 General

**905.1.1 Listed Pipe.** Pipe manufactured in accordance with a specification or standard listed in [Table 926.1](#) or [Mandatory Appendix I](#), as qualified by the Notes, may be used in accordance with its ratings or allowable stresses, within other limitations in [para. 905](#), and within the limitations on joints in [Chapter II, Part 4](#) and on materials in [Chapter III](#).

##### 905.2 Specific Limitations

**905.2.1 Cast Iron Pipe.** Cast iron pipe shall not be used above ground in oil or other flammable liquid service, nor in compressed gas service.

**905.2.2 Steel Pipe.** Furnace butt weld steel pipe shall not be used for flammable or combustible liquids.

**905.2.3 Copper Alloy Pipe and Tube.** Copper pipe and tube shall not be used for flammable or combustible liquids except as permitted in [para. 922.3.1\(c\)](#).

**905.2.4 Nonmetallic Pipe.** Unlisted RTR pipe shall not be used.

**905.2.5 Thermoplastic Pipe.** See [para. 923.3.2](#) for limitations on thermoplastics.

## 906 FITTINGS, BENDS, AND INTERSECTIONS

### 906.1 Fittings

**906.1.1 Listed Fittings.** Fittings manufactured in accordance with a specification or standard listed in [Table 926.1](#) or [Mandatory Appendix I](#) may be used in accordance with their ratings or allowable stresses, within other limitations in [para. 906](#), and within the limitations on joints in [Chapter II, Part 4](#) and on materials in [Chapter III](#).

### 906.2 Bends and Miter Joints

See [para. 904.2.2\(a\)](#) for service limitations on restricted miter joints.

### 906.3 Limitations on Fittings

Cast iron fittings shall not be used in flammable liquid or gas service. See [para. 923.3.2](#) for limitations on thermoplastics.

### 906.4 Thermowells

Thermowells shall comply with ASME PTC 19.3 TW, where applicable.

## 907 VALVES

### 907.1 General

**907.1.1 Listed Valves.** Valves manufactured in accordance with a standard listed in [Table 926.1](#) may be used in accordance with their ratings, within other limitations in [para. 907](#), and within the limitations on joints in [Chapter II, Part 4](#) and on materials in [Chapter III](#).

**907.1.2 Unlisted Valves.** Valves not manufactured in accordance with a listed standard shall be used only within the manufacturer's recommendations as to service and ratings, and within the limitations on comparable listed valves, considering composition, mechanical properties, dimensions, method of manufacture, and quality control. Otherwise, the valves shall be qualified in accordance with [para. 904.7.2](#).

### 907.2 Marking

Each valve shall bear markings in accordance with MSS SP-25, including the manufacturer's name or trademark, the material of construction, and symbols to indicate the service conditions for which the manufacturer rates the valve. Other markings shall be included if required by the applicable standard.

## 908 FLANGES, BLANKS, GASKETS, AND BOLTING

### 908.1 General

**908.1.1 Listed Components.** Flanges, blanks, gaskets, and bolting manufactured in accordance with a standard listed in [Table 926.1](#) may be used in accordance with their ratings, within manufacturers' recommendations, within other limitations in [para. 908](#), and within the limitations on joints in [Chapter II, Part 4](#) and on materials in [Chapter III](#).

### 908.2 Flange Facings

Flange facings shall be in accordance with the standards listed in [Table 926.1](#), or as provided in MSS SP-6. When bolting raised-face steel flanges to flat-face cast iron flanges, bolting torque should be limited to prevent cracking the cast iron flange; otherwise, steel flanges should be furnished with a flat face, and full-face gaskets shall be used.

### 908.3 Gaskets

Material, thickness, and type of gasket shall be selected to suit the fluid to be handled and the design pressure and temperature.

### 908.4 Bolting

Bolts, nuts, and washers shall conform to applicable standards listed in [Table 926.1](#).

## PART 4 SELECTION AND LIMITATION OF JOINTS

### 910 PIPING JOINTS

The type of joint used shall be suitable for the design conditions and the fluid handled, and shall be selected with consideration of joint tightness and mechanical strength.

### 911 WELDED JOINTS

#### 911.1 Metallic Pipe

Welded joints shall be used only for materials for which welding procedures, welders, and welding machine operators have been qualified as required in [Chapter V](#).

**911.1.1 Butt and Miter Welds.** Butt and miter joint welds shall be made in accordance with [para. 927.4.2](#), and shall be full-penetration welds. (Backing rings are not recommended.)

**911.1.2 Socket Welding.** Socket welds shall be made in accordance with [para. 911.1.3](#). In addition, dimensions of socket-type joints shall conform to those in standards listed in [Table 926.1](#).

**911.1.3 Fillet Welds.** Fillet welds in properly designed connections shall be made in accordance with [para. 927.4.3](#).

**911.1.4 Seal Welds.** Seal welds are intended only to provide leak tightness for threaded joints and are not considered to add strength to the joint.

## 911.2 Nonmetallic Pipe

**911.2.1 Thermoplastic Welding.** Welds in thermoplastic materials shall conform to the requirements in [para. 934.1.3](#).

**911.2.2 Thermoplastic Socket Welding.** Dimensions of socket-type joints shall conform to those in standards for fittings listed in [Table 926.1](#).

## 912 FLANGED JOINTS

Flanged joints shall meet the requirements in [para. 908](#).

## 913 MECHANICAL AND PROPRIETARY JOINTS

Grooved, extruded, expanded, rolled, O-ring, clamp, gland-type, and other mechanical or proprietary joints may be used where experience or tests in accordance with [para. 904.7](#) have demonstrated that the joint is safe for the operating conditions and the fluids being transported, and where adequate provision is made to prevent separation of the joint. All such joints shall be used within the manufacturer's limitations on pressure-temperature ratings and other recommendations for installation and use.

### 913.1 Limitations on Mechanical and Proprietary Joints

Joints dependent on friction characteristics or resiliency of combustible or low-melting-point materials for mechanical continuity or leak tightness shall not be used for flammable fluids or gases inside buildings.

## 914 THREADED JOINTS

Threaded joints may be used within the limitations on fittings in [para. 906](#), limitations on materials in [Chapter III](#), and other limitations herein.

### 914.1 Acceptable Types

Threads on pipe and fittings shall be tapered pipe threads in accordance with ASME B1.20.1 or other applicable standards listed in [Table 926.1](#), except that threads in wrought steel couplings NPS 2 (DN 50) and smaller may be straight pipe threads. Threads other than tapered pipe threads may be used where tightness of the joint depends on a seal weld or seating surface other than the threads, and where experience or test has demonstrated that such threads are suitable.

## 914.2 Limitations on Threaded Joints

(a) Threaded joints shall not be used where severe erosion, crevice corrosion, shock, or vibration are expected to occur.

(b) Metallic pipe with a wall thickness less than that of standard wall in ASME B36.10M shall not be threaded, regardless of service.

(c) Plastic pipe with wall thickness less than that of Schedule 80 shall not be threaded.

(d) Polyethylene pipe and polybutylene pipe shall not be threaded.

## 915 FLARED, FLARELESS, AND COMPRESSION JOINTS

Flared, flareless, and compression-type tubing fittings and joints may be used within the limitations of applicable standards listed in [Table 926.1](#), on materials in [Chapter III](#), and other limitations herein.

Fittings and joints shall be compatible with the tubing with which they are used, and shall be used within the manufacturer's pressure-temperature ratings. Vibration and thermal cycling shall be considered in each application.

## 916 BELL AND SPIGOT JOINTS

### 916.1 Caulked or Leaded Joints

Bell and spigot joints, caulked with lead and packing material, may be used only for water service up to 100°F (38°C), where adequate provision is made to prevent separation of the joints. See ANSI/AWWA C600 for joints in cast iron pressure piping.

### 916.2 Push-Type Elastomer Gasket

Push-type joints with elastomer gaskets may be used where experience or tests have demonstrated that the joint is safe for the operating conditions and the fluid being transported, and where adequate provision is made to prevent separation of the joints.

## 917 BRAZED AND SOLDERED JOINTS

### 917.1 General

Brazed and soldered socket-type joints shall be made in accordance with [para. 928](#) and with brazing or soldering filler metals that are compatible with the base material and with the pressure, temperature, and other service conditions.

### 917.2 Brazed Joints

Socket-type brazed joints may be used within the limitations on materials in [Chapter III](#).

**Table 917.3 Rated Internal Working Pressures, psig, of Joints Made With Copper Water Tube and Solder Joint Fittings**

| Solder or Brazing Alloy Used in Joints | Maximum Service Temperature, °F | Types K, L, M Copper Water Tube in Nominal Sizes, in. |            |            |                |                  | Saturated Steam and Condensate, All Sizes |
|--|---------------------------------|---|------------|------------|----------------|------------------|---|
|  |                                 | Liquids and Gases [Note (1)]                          |            |            |                |                  |   |
|  |                                 | 1/4-1   | 1 1/4-2    | 2 1/2-4    | 5-8 [Note (2)] | 10-12 [Note (2)] |   |
| 50-50 tin-lead                         | 100                             | 200   | 175        | 150        | 135            | 100              | ...                                       |
| ASTM B32 Gr 50A                        | 150                             | 150   | 125        | 100        | 90             | 70               | ...                                       |
|  | 200 [Note (2)]                  | 100   | 90         | 75         | 70             | 50               | ...                                       |
|  | 250 [Note (2)]                  | 85  | 75         | 50         | 45             | 40               | 15  |
| 95-5 tin-antimony                      | 100                             | 500   | 400        | 300        | 270            | 150              | ...                                       |
| ASTM B32 Gr 95TA                       | 150                             | 400   | 350        | 275        | 250            | 150              | ...                                       |
|  | 200 [Note (2)]                  | 300   | 250        | 200        | 180            | 140              | ...                                       |
|  | 250 [Note (2)]                  | 200   | 175        | 150        | 135            | 110              | 15  |
| Brazing alloys                         | 200 [Note (2)]                  | [Note (3)]  | [Note (3)] | [Note (3)] | [Note (3)]     | [Note (3)]       | ...                                       |
|  | 250 [Note (2)]                  | 300   | 210        | 170        | 150            | 150              | 15  |
|  | 350 [Note (2)]                  | 270   | 190        | 150        | 150            | 150              | 120                                       |

## NOTES:

(1) See limitations in para. 917.3.2.

(2) See paras. 900.1.2(d) and 900.1.2(e) for pressure and temperature limits under this Code.

(3) Rated pressure for temperatures up to 200°F is that of the tube being joined.

**917.3 Soldered Joints**

**917.3.1 General.** Soldered socket-type joints may be used within the pressure-temperature limitations in Table 917.3. Soldered joints other than socket-type shall not be used.

**917.3.2 Limitations.** Soldered joints shall not be used for flammable or toxic gases or liquids. They shall not be used for compressed air or other gases in tubing over 4.125 in. (105 mm) O.D. unless the maximum pressure is limited to 20 psig (138 kPa gage).

## PART 5 EXPANSION, FLEXIBILITY, AND SUPPORT

**919 EXPANSION AND FLEXIBILITY****919.1 General**

In addition to design requirements for pressure, weight, and other loadings, piping systems subject to thermal expansion or contraction, or to similar movements imposed by other sources, shall be designed to prevent

- (a) failure of piping or supports from overstress or fatigue
- (b) leakage of joints
- (c) detrimental stresses or distortion in connected equipment (pumps, turbines, valves, etc.) resulting from excessive thrusts and moments

**919.2 Concepts**

**919.2.1 General.** The treatment of flexibility analysis in this Code covers only the simplest applications. For piping systems not compatible with this simplified approach, the user is directed to ASME B31.1, Chapter II, Part 5. The concepts, methods, and requirements therein are acceptable under this Code.

**919.2.2 Means of Providing Flexibility.** Flexibility may be increased by one or more of the following means:

- (a) adding elbows, bends, or loops where feasible
- (b) installing expansion joints, properly guided and restrained
- (c) installing rotary joints, properly guided and restrained

**919.2.3 Flexibility in Nonmetallic Piping.** Particular care must be taken in selecting the methods given in para. 919.2.2 when laying out nonmetallic piping systems, because they are difficult or impossible to analyze, have very limited capacity for overstress, are subject to brittle failure, and may have high coefficients of thermal expansion and nonlinear stress-strain characteristics.

**919.3 Properties for Analysis**

**919.3.1 Coefficients of Thermal Expansion.** Table 919.3.1 contains data on thermal expansion characteristics of many of the metallic and nonmetallic materials used in this Code.



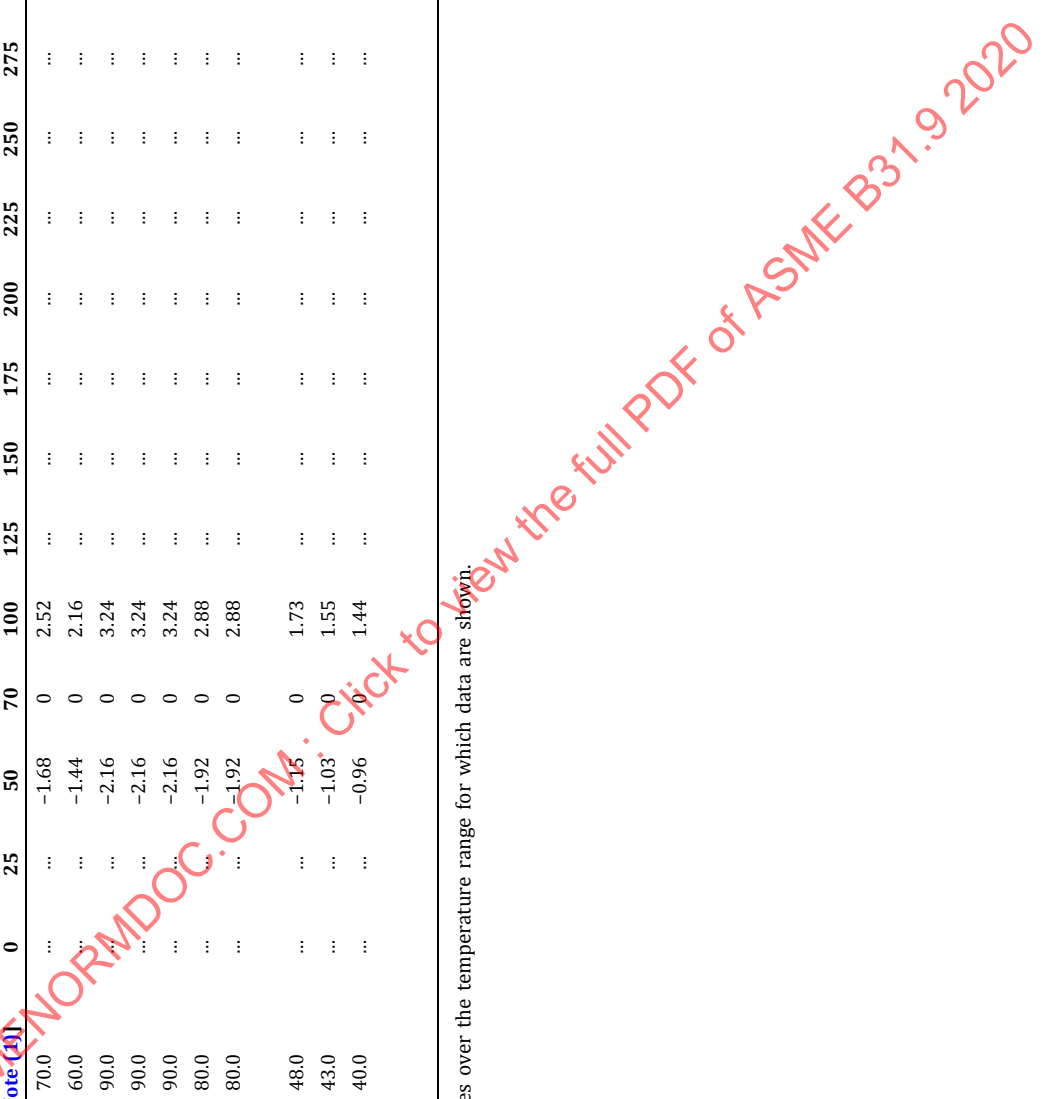
**Table 919.3.1 Moduli of Elasticity and Thermal Expansion Coefficients**

| Material                           | Modulus of Elasticity, $\text{psi} \times 10^6$ | Coefficient of Thermal Expansion, $\text{in./in./}^\circ\text{F} \times 10^{-6}$ [Note (1)] | Linear Thermal Expansion, in./100 ft, Between 70°F and Indicated Temperature, °F |       |       |    |      |      |      |      |      |      |      |      |      |      |      |      |
|------------------------------------|---|---|--|-------|-------|----|------|------|------|------|------|------|------|------|------|------|------|------|
|                                    |   |   | 0  | 25    | 50    | 70 | 100  | 125  | 150  | 175  | 200  | 225  | 250  | 275  | 300  | 325  | 350  | 375  |
| Carbon steel                       | 27.5  | 6.33  | -0.49  | -0.32 | -0.14 | 0  | 0.23 | 0.42 | 0.61 | 0.80 | 0.99 | 1.21 | 1.40 | 1.61 | 1.82 | 2.04 | 2.26 | 2.48 |
| Austenitic stainless steel         | 29.0  | 9.27  | -0.72  | -0.46 | -0.21 | 0  | 0.34 | 0.62 | 0.90 | 1.18 | 1.46 | 1.75 | 2.03 | 2.32 | 2.61 | 2.90 | 3.20 | 3.50 |
| Aluminum                           | 10.0  | 12.69   | -0.97  | -0.63 | -0.28 | 0  | 0.46 | 0.85 | 1.23 | 1.62 | 2.00 | 2.41 | 2.83 | 3.24 | 3.67 | 4.09 | 4.52 | 4.95 |
| Gray cast iron                     | 13.0  | 5.76  | -0.49  | -0.32 | -0.14 | 0  | 0.21 | 0.38 | 0.55 | 0.73 | 0.90 | 1.00 | 1.27 | 1.45 | 1.64 | 1.83 | 2.03 | 2.22 |
| Ductile iron                       | ...   | 5.97  | -0.46  | -0.30 | -0.14 | 0  | 0.21 | 0.39 | 0.57 | 0.76 | 0.94 | 1.13 | 1.33 | 1.53 | 1.72 | 1.93 | 2.13 | 2.36 |
| Copper C12200 (99.9Cu)             | 17.0  | 9.50  | -0.80  | -0.51 | -0.23 | 0  | 0.34 | 0.63 | 0.91 | 1.20 | 1.48 | 1.77 | 2.05 | 2.34 | 2.62 | 2.91 | 3.19 | ...  |
| Copper CA 23000 (red brass) (85Cu) | 17.0  | 10.40   | -0.87  | -0.56 | -0.25 | 0  | 0.37 | 0.69 | 1.00 | 1.31 | 1.62 | 1.93 | 2.25 | 2.56 | 2.87 | 3.18 | 3.49 | ...  |
| ABS1210                            | 0.25  | 55.0  | ...  | ...   | -1.32 | 0  | 1.98 | ...  | ...  | ...  | ...  | ...  | ...  | ...  | ...  | ...  | ...  | ...  |
| ABS1316                            | 0.34  | 40.0  | ...  | ...   | -0.96 | 0  | 1.44 | ...  | ...  | ...  | ...  | ...  | ...  | ...  | ...  | ...  | ...  | ...  |
| ABS2112                            | ...   | 40.0  | ...  | ...   | -0.96 | 0  | 1.44 | ...  | ...  | ...  | ...  | ...  | ...  | ...  | ...  | ...  | ...  | ...  |
| CPVC4120                           | 0.42  | 35.0  | ...  | ...   | -0.84 | 0  | 1.26 | 2.31 | 3.36 | 4.44 | ...  | ...  | ...  | ...  | ...  | ...  | ...  | ...  |
| PVC1120                            | 0.42  | 30.0  | ...  | ...   | -0.72 | 0  | 1.08 | ...  | ...  | ...  | ...  | ...  | ...  | ...  | ...  | ...  | ...  | ...  |
| PVC1220                            | 0.41  | 35.0  | ...  | ...   | -0.84 | 0  | 1.26 | ...  | ...  | ...  | ...  | ...  | ...  | ...  | ...  | ...  | ...  | ...  |
| PVC2110                            | 0.34  | 50.0  | ...  | ...   | -1.20 | 0  | 1.80 | ...  | ...  | ...  | ...  | ...  | ...  | ...  | ...  | ...  | ...  | ...  |
| PVC2120                            | ...   | 30.0  | ...  | ...   | -0.72 | 0  | 1.08 | ...  | ...  | ...  | ...  | ...  | ...  | ...  | ...  | ...  | ...  | ...  |
| PB2110                             | ...   | 72.0  | ...  | ...   | -1.73 | 0  | 2.59 | 4.75 | 6.91 | 9.07 | ...  | ...  | ...  | ...  | ...  | ...  | ...  | ...  |
| PE2306                             | 0.09  | 80.0  | ...  | ...   | -1.92 | 0  | 2.88 | ...  | ...  | ...  | ...  | ...  | ...  | ...  | ...  | ...  | ...  | ...  |
| PE2606                             | 0.100   | 100.0   | ...  | ...   | -2.40 | 0  | 3.60 | ...  | ...  | ...  | ...  | ...  | ...  | ...  | ...  | ...  | ...  | ...  |
| PE2706                             | 0.100   | 100.0   | ...  | ...   | -2.40 | 0  | 3.60 | ...  | ...  | ...  | ...  | ...  | ...  | ...  | ...  | ...  | ...  | ...  |
| PE2708                             | 0.100   | 100.0   | ...  | ...   | -2.40 | 0  | 3.60 | ...  | ...  | ...  | ...  | ...  | ...  | ...  | ...  | ...  | ...  | ...  |

**Table 919.3.1 Moduli of Elasticity and Thermal Expansion Coefficients (Cont'd)**

| Material | Modulus of Elasticity, $\text{psi} \times 10^6$ | Coefficient of Thermal Expansion, $\text{in./in./}^\circ\text{F} \times 10^{-6}$ [Note (1)] | Linear Thermal Expansion, in./100 ft, Between 70°F and Indicated Temperature, °F |     |       |    |      |     |     |     |     |     |     |     |     |     |     |     |
|----------|---|---|--|-----|-------|----|------|-----|-----|-----|-----|-----|-----|-----|-----|-----|-----|-----|
|          |   |   | 0  | 25  | 50    | 70 | 100  | 125 | 150 | 175 | 200 | 225 | 250 | 275 | 300 | 325 | 350 | 375 |
| PE3306   | 0.13  | 70.0  | ...  | ... | -1.68 | 0  | 2.52 | ... | ... | ... | ... | ... | ... | ... | ... | ... | ... | ... |
| PE3406   | 0.15  | 60.0  | ...  | ... | -1.44 | 0  | 2.16 | ... | ... | ... | ... | ... | ... | ... | ... | ... | ... | ... |
| PE3608   | 0.125   | 90.0  | ...  | ... | -2.16 | 0  | 3.24 | ... | ... | ... | ... | ... | ... | ... | ... | ... | ... | ... |
| PE3708   | 0.125   | 90.0  | ...  | ... | -2.16 | 0  | 3.24 | ... | ... | ... | ... | ... | ... | ... | ... | ... | ... | ... |
| PE3710   | 0.125   | 90.0  | ...  | ... | -2.16 | 0  | 3.24 | ... | ... | ... | ... | ... | ... | ... | ... | ... | ... | ... |
| PE4708   | 0.130   | 80.0  | ...  | ... | -1.92 | 0  | 2.88 | ... | ... | ... | ... | ... | ... | ... | ... | ... | ... | ... |
| PE4710   | 0.130   | 80.0  | ...  | ... | -1.92 | 0  | 2.88 | ... | ... | ... | ... | ... | ... | ... | ... | ... | ... | ... |
| PP1110   | ...   | 48.0  | ...  | ... | -1.15 | 0  | 1.73 | ... | ... | ... | ... | ... | ... | ... | ... | ... | ... | ... |
| PP1208   | ...   | 43.0  | ...  | ... | -1.03 | 0  | 1.55 | ... | ... | ... | ... | ... | ... | ... | ... | ... | ... | ... |
| PP2105   | ...   | 40.0  | ...  | ... | -0.96 | 0  | 1.44 | ... | ... | ... | ... | ... | ... | ... | ... | ... | ... | ... |
| RTRP     | Consult manufacturer                            |   |  |     |       |    |      |     |     |     |     |     |     |     |     |     |     |     |

NOTE: (1) Average of the mean values over the temperature range for which data are shown.



## 919.4 Analysis, Metallic Piping

### 919.4.1 Requirements for Analysis

(a) *Simplified Analysis.* No formal analysis is required for systems that meet one of the following criteria:

(1) The system duplicates a successfully operating installation or replaces a system with a satisfactory service record.

(2) The system is of ductile material (e.g., there are no cast iron fittings); the segment being analyzed has no more than two anchors and no intermediate restraints; it has no more than two pipe sizes, differing by one standard size; the least nominal wall thickness is no less than 75% of the greatest; and thermal expansion in the segment satisfies eq. (8).

(U.S. Customary Units)

$$DY/(L - U)^2 \leq 0.03 \quad (8)$$

(SI Units)

$$DY/(L - U)^2 \leq 208.3$$

where

$D$  = the nominal size of the larger pipe in the segment

$L$  = developed length of line axis, ft (m)

$U$  = anchor distance (length of straight line joining)

$Y$  = resultant of movements to be absorbed by pipe lines, in. (mm)

NOTE: There is no assurance that eq. (8) is always accurate or conservative, especially for nearly straight sawtooth segments or for unequal leg U-bends. There is no assurance that end reactions will be acceptably low.

(3) The system is laid out with a conservative margin of inherent flexibility, or employs joining methods, expansion devices, or a combination of joining method and expansion devices in accordance with applicable manufacturers' instructions.

(b) *Other Methods of Analysis.* Piping systems that do not meet the criteria of (a) shall be analyzed by suitable approximate or conservative methods as outlined in ASME B31.1, paras. 119.7.1(c) and 119.7.1(d), and as directed elsewhere in ASME B31.1, para. 119.

### 919.5 Movements

Movements caused by thermal expansion or contraction and other similar loadings shall be determined for consideration of obstructions and design of supports.

### 919.6 Cold Spring

Cold spring is the intentional displacement of piping during assembly. When applied, it normally compensates for one-half of the total expected pipe movement due to expansion. Possible benefits of cold spring include

(a) reduced likelihood of overstrain during initial operation

(b) reduced deviation from as-installed hanger positions

(c) reduction of maximum end reactions

No credit for cold spring is permitted in stress range calculations.

### 919.7 Reactions

Terminal reactions and resulting moments shall be taken into consideration where supporting structure or connected equipment is likely to be affected by such loadings. Determination of these loads may require analysis as specified in para. 919.4.1(b).

## 920 LOADS ON PIPE-SUPPORTING ELEMENTS

### 920.1 General

Supports, as used in this Code, include rigid hangers that support the line from above without springs, spring hangers, supports that bear the load from below, and guides and anchors that limit pipe movement as well as support loads.

**920.1.1 Loads on Supports.** The loads to be considered in design of supports are

(a) dead weight of pipe, fittings, valves, insulation, inline equipment, hanger system, and other pipelines (if supported from the line under consideration)

(b) live weight of contents

(c) weight of test fluid (see para. 920.2)

(d) occasional loads, such as ice, wind, and earthquake  
Weight of test fluid and occasional loads need not be considered concurrently.

### 920.1.2 Loads on Restraints

(a) *General.* In addition to the loads described in para. 920.1.1, anchors, guides, and other restraints shall be designed to bear loads resulting from thermal expansion and contraction and from other movements of the piping, such as those caused by internal pressure.

(b) *Expansion Joint Loads.* Use of expansion joints usually increases reactions at anchors. For corrugated and slip joints, in the absence of manufacturer's data, anchor reaction may be calculated as the sum of

(1) operating pressure times area corresponding to the maximum inside diameter of the joint corrugations

(2) the force required to cause full rated deflection of the joint

(3) frictional forces at guides and supports

If the expansion joint is at an elbow or bend, the vector forces due to fluid change in direction must also be included.

**920.1.3 Other Loads.** Loads from other design conditions described in [para. 901](#) shall be considered in design of both supports and restraints. Loads due to shock and vibration should preferably be minimized by the use of suitable dampeners or properly placed supports and restraints.

## 920.2 Test Loads

**920.2.1 Test Loads on Rigid Supports.** Rigid supports shall be capable of bearing the total load under test conditions as well as those of normal operation, unless additional supports are provided during testing.

**920.2.2 Test Loads on Spring Hangers.** Load conditions for calculated operation of spring hangers should not take test loads into account. The hanger assembly, however, shall be capable of supporting the test load unless additional supports are provided during testing.

## 921 DESIGN OF PIPE-SUPPORTING ELEMENTS

### 921.1 General

Pipe-supporting elements shall be designed to carry the sum of all concurrently acting loads described in [para. 920](#). Unless designed to anchor or restrain line movements by withstanding the resultant forces and moments, they shall permit free movement of the piping resulting from thermal expansion or other causes.

In addition, supports shall be so located and spaced as to protect the supported piping from excessive stress and distortion.

**921.1.1 Materials and Stresses.** Except as permitted herein, materials for pipe-supporting elements shall be listed in [Mandatory Appendix I](#). Allowable stresses for pipe-supporting elements shall be one-fourth of the minimum tensile strength shown in [Mandatory Appendix I](#). For carbon steel of unknown specification, the allowable stress shall not exceed 9,500 psi (65.5 MPa).

(a) *Threaded Parts.* The maximum safe loads shall be calculated on the root area of the threads of threaded parts.

(b) *Allowable Overstress.* An increase in allowable stress is permitted up to 80% of specified minimum yield strength during hydrostatic testing, not to exceed 24,000 psi (165.5 MPa) for carbon steel of unknown specification.

(c) *Selection of Material.* Hanger and support materials shall be compatible with the characteristics of the piping materials, so that neither shall adversely affect the other.

**921.1.2 Hanger Adjustments.** Hangers supporting piping NPS 2½ (DN 65) and larger shall be designed to permit adjustment after erection while supporting the load. Threaded parts for adjustment shall be in accordance with ASME B1.1.

Turnbuckles and adjusting nuts shall have full thread engagement. Threaded adjustments shall be provided with suitable locking devices.

### 921.1.3 Support Spacing

(a) *Piping Stresses.* Stresses in the piping due to support spacing shall not exceed the basic allowable stress  $S$  when computed on the basis of a support span twice as great as the actual span.

(b) *Allowable Deflection.* The allowable deflection of the pipe between supports shall not exceed the smaller of 0.25 in. (6.4 mm) or 15% of the outside diameter of the pipe, based on the weight of the pipe, service fluid (S.G.  $\leq 1.0$ ), and insulation.

(c) *Spacing, Steel Pipe.* [Figure 921.1.3-1](#) shows the maximum recommended support spacing for standard weight Grade A, Grade B, and Schedule 10 pipe.

(d) *Spacing, Other Materials.* The maximum recommended support spacing for copper and plastic pipe is shown in [Figure 921.1.3-2](#).

(e) *Limitations on Charts.* The spans in [Figures 921.1.3-1](#) and [921.1.3-2](#) are based on limitations in (a) and (b) and are not applicable where there are concentrated loads, i.e., valves, special fittings, etc. Spans and deflections are based on the simple beam formulas limiting the combined pressure and bending stress to the basic allowable stress for the material.

**921.1.4 Springs.** Springs used in spring hangers shall be designed and manufactured in accordance with MSS SP-58.

### 921.2 Fixtures

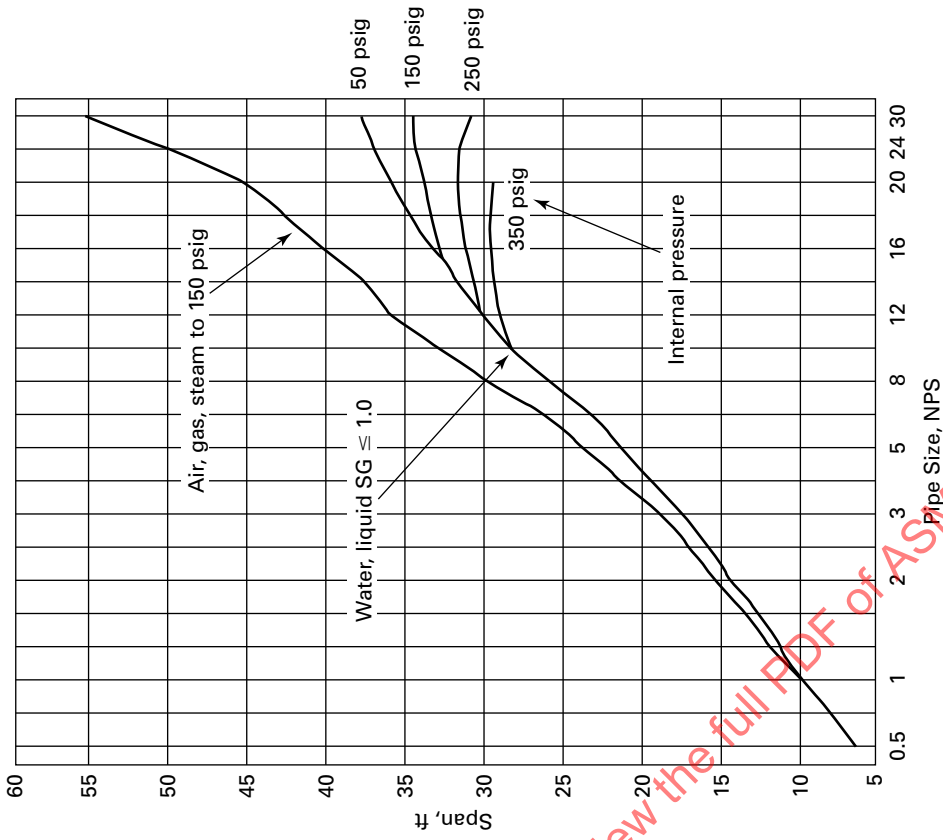
#### 921.2.1 Anchors and Guides

(a) *Requirements.* Anchors, guides, pivots, and other restraints shall be designed to secure the piping at their respective locations against movement in specified planes or directions, while permitting free movement elsewhere. They shall be structurally suitable to withstand the thrusts, moments, and other imposed loads.

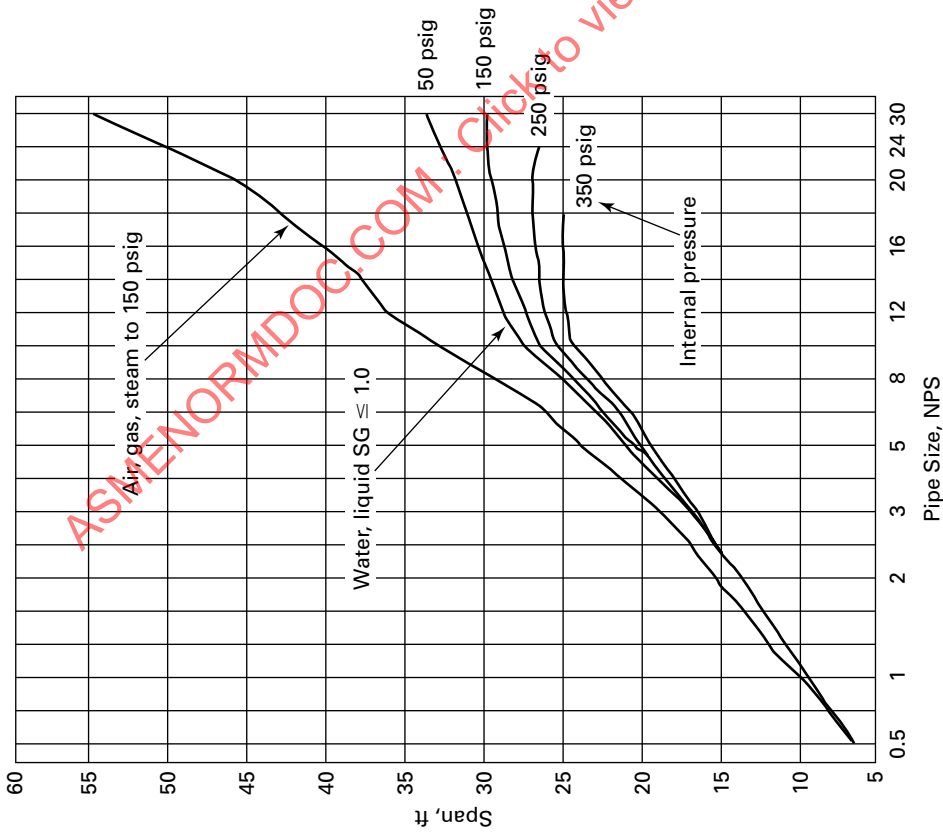
(b) *Required Guides.* Where bellows or slip-type expansion joints are used, anchors and guides shall be provided to direct expansion movement along the axis of the joint.

(c) *Pipe Buckling.* The column buckling strength of the pipe must be taken into consideration when determining guide spacing for expansion joints. This is especially true for small diameter lines. Maximum spacing of guides for any pipe material or thickness may be calculated using [eq. \(9\)](#).

Figure 921.1.3-1 Support Spans for Standard Wall Steel Pipe



(b) Basic Allowable Stress = 15,000 psi  
Grade B  
[Notes (3) and (4)]

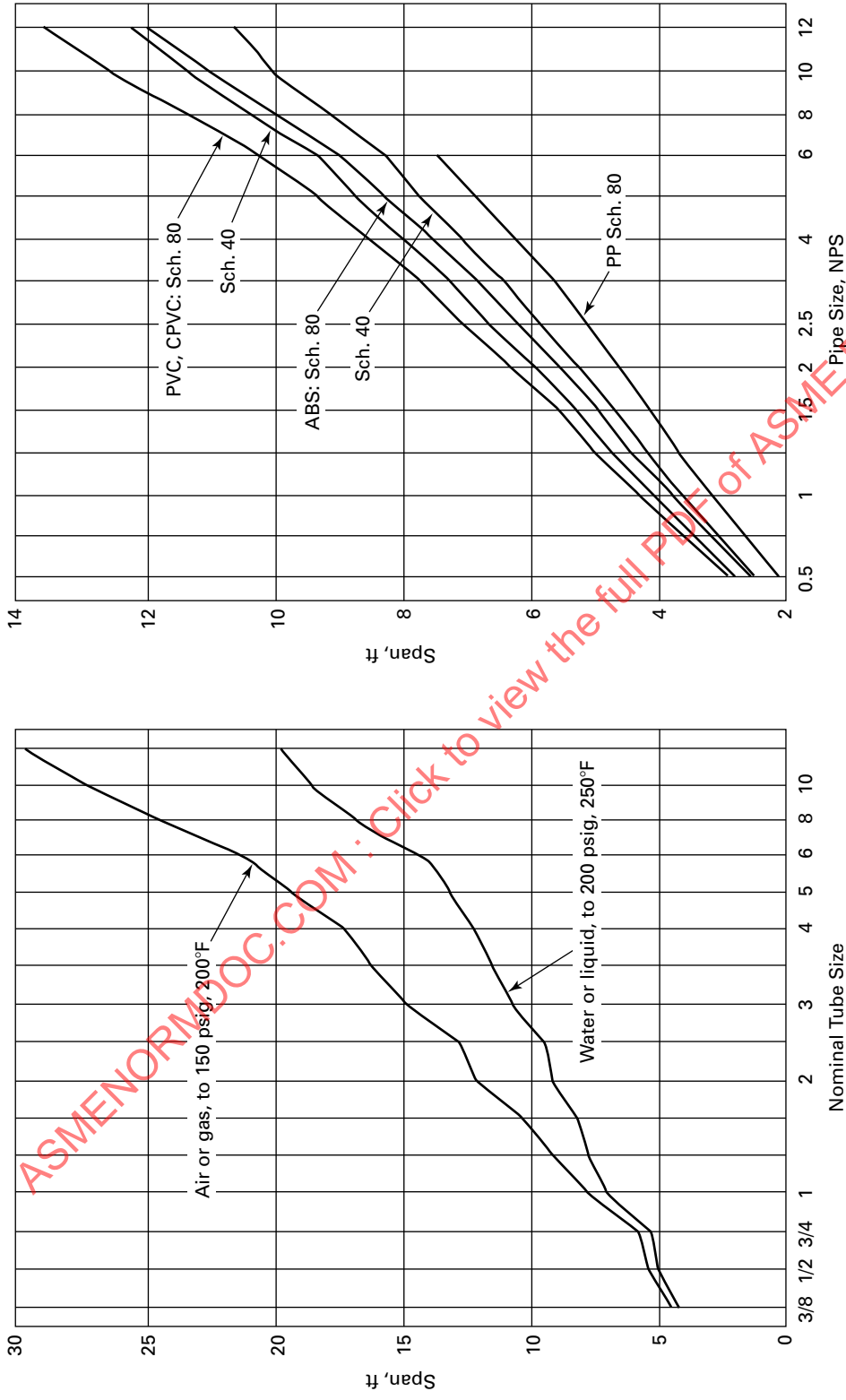


(a) Basic Allowable Stress = 12,000 psi  
Grade A  
[Notes (1) and (2)]

NOTES:

- (1) For Grade A pipe threaded to NPS 2 and welded above NPS 2.
- (2) Use for grooved pipe.
- (3) For Grade B pipe threaded to NPS 2 and welded above NPS 2.
- (4) Use 12,000 psi chart for grooved joints.

Figure 921.1.3-2 Support Spans for Copper and Thermoplastic Pipe



NOTES:

- (1) Based on pipe at 73°F with water and insulation. Closer spacing required at higher temperatures.
- (2) Use shields on all hangers to avoid point loading of pipe.

**Table 921.2.2 Capacities of Threaded ASTM A36 Steel Rods**

| Nominal Rod Diameter, in. | Root Area of Coarse Thread, in. <sup>2</sup> | Maximum Safe Load, lb (S = 11.6 ksi) |
|---------------------------|--|--------------------------------------|
| 1/4                       | 0.027  | 310                                  |
| 3/8                       | 0.068  | 790                                  |
| 1/2                       | 0.126  | 1,460                                |
| 5/8                       | 0.202  | 2,340                                |
| 3/4                       | 0.302  | 3,500                                |
| 7/8                       | 0.419  | 4,860                                |
| 1                         | 0.552  | 6,400                                |
| 1 1/8                     | 0.693  | 8,000                                |
| 1 1/4                     | 0.889  | 10,300                               |

(U.S. Customary Units)

$$L_s = 0.131 \sqrt{E_m I / (PB + Q)} \quad (9)$$

(SI Units)

$$L_s = 0.00157 \sqrt{E_m I / (PB + Q)}$$

$Q$  is positive for expansion joint compression and negative for expansion joint extension.

(d) *Rolling or Sliding Supports.* These supports shall permit free movement of the piping, or the piping shall be designed to include the imposed loads and friction forces of the supports. Materials and lubricants used in sliding supports shall be suitable for the metal temperature at the point of contact.

### 921.2.2 Other Rigid Supports

(a) *Hanger Rods.* Safe loads for hanger rods shall be based on the root area of threads and allowable stress for the material. In no case shall hanger rods less than 3/8 in. (9.5 mm) in diameter be used to support pipe NPS 1 1/2 (DN 40) or larger. See Table 921.2.2 for permissible loads on carbon steel rods.

Pipe, straps, or bars of strength and effective area equivalent to hanger rod may also be used.

(b) *Cast Iron.* ASTM A48 cast iron may be used for bases, rollers, anchors, and parts of supports where the loading is primarily in compression. Cast iron parts shall not be used in tension.

(c) *Malleable Iron.* ASTM A47 malleable iron may be used for pipe clamps, beam clamps, hanger flanges, clips, bases, swivel rings, and parts of pipe supports.

### 921.2.3 Variable Supports

(a) *Requirements.* Variable spring supports shall be designed to exert a supporting force equal to the load, as determined by weight balance calculations, plus the weight of all hanger parts (clamp, rod, etc.) that will be supported by the spring at the point of attachment to the pipe.

(b) *Design.* Variable spring supports shall be provided with means to limit misalignment, buckling, eccentric loading, and overstressing of the spring. It is recommended that they be designed for a maximum variation in supporting effort of 25% for the total travel resulting from thermal movement.

(c) *Indicators.* It is recommended that all hangers employing springs be provided with means to indicate at all times the compression of the spring with respect to the approximate hot and cold positions of the pipe system, except where they are used either to cushion against shock or where the operating temperature of the system does not exceed 250°F (121°C).

### 921.3 Structural Attachments

**921.3.1 Nonintegral Type.** Nonintegral attachments include clamps, slings, cradles, saddles, straps, and clevises.

When clamps are used to support vertical lines, they shall be designed to support the total load due to weight of piping, contained fluid, insulation, and other loads such as forces from expansion joints. It is recommended that shear lugs or the clamp be welded to the pipe to prevent slippage, following the requirements of para. 921.3.2.

**921.3.2 Integral Type.** Integral attachments include ears, shoes, lugs, cylindrical attachments, rings, and skirts fabricated so as to be an integral part of the piping. When welded to the pipe, materials and procedure shall be compatible with the piping and strength shall be adequate for all expected loadings. If piping and support materials differ in allowable stress, the lower shall govern design.

Integral attachments shall be used in conjunction with restraints or braces where multiaxial loadings are imposed. Design shall consider all imposed weight and thermal loadings, and shall minimize localized stresses induced in the piping by the attachment.

### 921.4 Supplemental Steel

Where it is required to frame structural members between existing steel members, such supplementary steel shall be designed using the allowable stress specified in para. 921.1.1.



## 921.5 Attachments to Concrete

**921.5.1 Maximum Loads on Attachments.** Loads on anchors, cast-in-place inserts, and other attachments to concrete shall not exceed one-fifth of the ultimate strength of the attachment as determined by manufacturer's tests in concrete of compressive strength not greater than that in which the attachment will be used, but at least 2,500 psi (17.2 MPa).

If the compressive strength of the concrete is unknown, it shall be assumed to be 2,500 psi (17.2 MPa) and the manufacturer's rated load for the fastener shall be reduced in the ratio of 2,500 psi (17.2 MPa) to the strength used in the tests to determine the rating.

In the absence of manufacturer's ratings, the attachment may be tested for ultimate strength in accordance with ASTM E488.

**921.5.2 Expansion Studs and Anchors.** Mechanically attached concrete or masonry anchors shall extend into the concrete at least the minimum distance recommended by the manufacturer; use a length at least  $4\frac{1}{2}$  times the fastener diameter in the absence of such recommendation.

If multiple anchors are required to hold a load, they shall be spaced at least eight diameters on center to realize the full design capacity of each anchor.

**921.5.3 Concrete Inserts.** Placing of inserts shall be in accordance with the manufacturer's recommendations.

**921.5.4 Explosive Actuated Fasteners.** Explosive actuated fasteners shall not be used where a group of fasteners is necessary to support the total load.

**921.5.5 Split Pin Compression Anchors.** Split pin compression anchors shall be used only for shear loads.

## 921.6 Supporting Structures

The engineer shall ensure that the supporting structure has adequate strength to sustain all loads imposed by the piping.

## PART 6 SYSTEMS

## 922 DESIGN REQUIREMENTS PERTAINING TO SPECIFIC PIPING SYSTEMS

### 922.1 Pressure-Reducing Systems

**922.1.1 General.** Where pressure-reducing valves are used, a relief device or safety valve shall be provided on the low-pressure side of the system. Otherwise, the piping and equipment on the low side of the system shall be designed to withstand the upstream design pressure. The relief or safety devices shall be located adjoining or as close as practicable to the reducing valve. The combined relieving

capacity provided shall be such that the design pressure of the low-pressure system will not be exceeded if the reducing valve fails in the open position.

**922.1.2 Alternative Systems.** In steam systems where the use of relief valves as described in [para. 922.1.1](#) is not feasible (e.g., because there is no acceptable discharge location for the vent piping), alternative designs may be substituted for the relief devices. In either case, alarms should be provided that will reliably warn the operator of failure of any pressure-reducing valve.

(a) *Tandem Steam Pressure-Reducing Valves.* Two or more steam pressure-reducing valves may be installed in series, each set at or below the safe working pressure of the equipment served. In this case, no relief device is required.

Each pressure-reducing valve shall have the capability of closing off against full line pressure, and of controlling the reduced pressure at or below the design pressure of the low-pressure system, in the event that the other valve fails in the open position.

(b) *Trip Stop Valves.* A trip stop steam valve set to close at or below the design pressure of the low-pressure system may be used in place of a second reducing valve or a relief valve.

**922.1.3 Bypass Valves.** Hand-controlled bypass valves having a capacity no greater than the reducing valve may be installed around pressure-reducing valves if the downstream piping is protected by relief valves as required in [para. 922.1.1](#), or if the design pressure of the downstream piping system and equipment is at least as high as the upstream pressure.

**922.1.4 Design of Valves and Relief Devices.** Pressure-reducing and bypass valves and relief devices shall be designed for inlet pressure and temperature conditions.

### 922.2 Steam Trap Piping

**922.2.1 Drip Lines.** Drip lines from steam headers, mains, separators, heaters, or other equipment that operates at differing pressures shall not be connected to discharge through the same trap.

**922.2.2 Discharge Piping.** Trap discharge piping shall be designed for the same pressure and temperature as the inlet piping unless the discharge is vented to atmosphere or is operated under low pressure and has no stop valves.

### 922.3 Fuel Oil Piping

#### 922.3.1 Pipe Material

(a) Pipe in buildings shall be steel pipe of a material listed in [Table 926.1](#) except as permitted in (b). Type F furnace butt-welded pipe shall not be used where concealed, e.g., in walls, chases, shafts, or above ceilings. Spiral welded pipe shall not be used.



(b) Type L copper tubing may be used in buildings if protected from exposure to fire.

(c) Underground piping may be steel, Type K copper tubing, aluminum, ductile iron, thermoplastic, or reinforced thermoplastic resin piping. Buried pipe and fittings shall be protected against corrosion.

#### 922.3.2 Joints

(a) Threaded, welded, brazed, or flared joints shall be used within buildings. A pipe thread compound suitable for oil shall be used on threaded joints. Joints relying on

friction or a combustible material shall not be used. Brazing fittings or flare fittings shall be wrought. Flanged or grooved joints may be used with a gasket material meeting the requirements of API 607 or another standard acceptable to the owner.

(b) For underground piping, friction-type joints and grooved joints may also be used.

**922.3.3 Valves.** At the point of entry of underground piping to the building, an accessible steel or ductile iron valve shall be installed to control the flow of oil.

ASMENORMDOC.COM : Click to view the full PDF of ASME B31.9 2020

## Chapter III Materials

### 923 MATERIALS — GENERAL REQUIREMENTS

Chapter III states limitations for materials, based on their inherent properties. Their use in piping is also subject to requirements and limitations in other paragraphs of this Code.

#### 923.1 Materials and Specifications

**923.1.1 Listed or Published Specifications.** Any material used in pressure-containing piping components shall conform to a specification listed in [Mandatory Appendix I](#) or to a published specification in accordance with [para. 923.1.2](#).

**923.1.2 Materials Not Listed.** Allowable stresses for materials not shown in [Mandatory Appendix I](#) but shown in ASME B31.1 may be taken from ASME B31.1, [Mandatory Appendix A](#).

A material that is not listed in this Code nor in ASME B31.1 but that conforms to a published specification covering composition, physical and mechanical properties, method and process of manufacture, heat treatment (if applicable), and quality control may be used if it otherwise meets the requirements of this Code. Allowable stresses for such materials shall be determined in accordance with the applicable basis in [para. 902.3.1](#) or a more conservative basis. Particular attention should be given to properties that may affect weldability or ductility adversely.

**923.1.3 Used Materials.** Used pipe and other components of known specifications may be employed, provided they have been thoroughly cleaned and visually inspected (and tested if applicable) to determine that they are in good condition, meet the applicable dimensional requirements, and do not contain defects that could impair strength or tightness or that are not acceptable under this Code.

**923.1.4 Limitations on Unknown Materials.** Steel of unknown specification shall be used only for structural supports and restraints.

#### 923.2 Limitations on Specific Metals

**923.2.1 Cast Iron.** The low ductility of cast iron should be considered and its use should be avoided where shock loading may occur.

**923.2.2 Ductile Iron.** Ductile (nodular) cast iron components having dimensions conforming to ASME B16.3, ASME B16.4, or ASME B16.5 may be used in accordance with the manufacturer's pressure-temperature ratings. Welding shall not be used as a method of joining ductile iron components.

**923.2.3 Copper and Copper Alloys.** Consideration should be given to the melting point of copper in flammable fluid service.

**923.2.4 Aluminum and Aluminum Alloys.** Consideration should be given to the melting point of aluminum in flammable fluid service. When assembling threaded joints in aluminum alloys, a suitable thread compound shall be used to prevent seizing. Pipe in the annealed temper should not be threaded.

#### 923.3 Limitations on Specific Nonmetals

**923.3.1 General.** Nonmetallic pressure-containing components, such as glass, ceramics, plastics, or rubber, may be used within the limitations of [para. 923.1.2](#) and within manufacturers' limitations on pressure-temperature ratings and application. Consideration shall be given to the suitability of the material for the service conditions and the fluid to be handled, its flammability, resistance to shock, its dimensional stability, and proper support and protection from damage.

**923.3.2 Thermoplastics.** Thermoplastics shall not be used for toxic fluids or oxygen. They shall not be used for flammable liquids or flammable gases above ground. If thermoplastics are used for compressed air or other compressed gases, special precautions must be observed. The stored energy and specific failure mechanism of the pipe need to be considered. Materials such as polyvinyl chloride (PVC), chlorinated polyvinyl chloride (CPVC), and polyvinylidene difluoride (PVDF), which exhibit brittle failure as defined in ASTM F412, shall not be used for compressed air or gas service.

Consideration shall be given to the brittleness and flammability of thermoplastics and to their loss of strength under only slight increases in temperature. In selecting thermoplastics, note that design properties are subject to considerable variation from one type and grade to another.

**923.3.3 Reinforced Thermosetting Resin.** In selecting RTR piping, note that design properties are subject to considerable variation from one type and grade to another. Consideration shall be given to the flammability of RTR piping and its susceptibility to brittle failure.

**923.3.4 Composite Materials.** Composite materials shall be selected to conform to ASTM and manufacturer's recommendation for pressure-temperature, support, and service conditions.

### **923.4 Coatings and Linings**

External coatings or internal linings may be used on pipe or components that conform to the requirements of this Code, but such coatings or linings shall not be considered as adding strength.

### **923.5 Deterioration in Service**

It is the responsibility of the engineer to select materials that will resist deterioration in service or to make allowances for such deterioration in accordance with [para. 902.4.1](#).

ASMENORMDOC.COM : Click to view the full PDF of ASME B31.9 2020

## Chapter IV

# Component Requirements and Standard Practices

### 926 DIMENSIONS AND RATINGS OF COMPONENTS

#### 926.1 Standard Piping Components

Standard piping components shall conform to one of the standards or specifications listed in [Table 926.1](#). Standards and specifications listed in ASME B31.1 may also be used.

**926.1.1 Boiler External Piping.** Materials used in boiler external piping shall be ASME SA or ASME SB specifications corresponding to the ASTM specifications listed in [Table 926.1](#).

#### 926.2 Standard Practices

The standards listed in [Table 926.2](#) should be used for design and installation where applicable under this Code.

#### 926.3 Nonstandard Piping Components

When nonstandard piping components are used, pressure design shall be in accordance with [para. 904](#). Adherence to the dimensional principles in American National Standards referenced in [Table 926.1](#) is recommended to the greatest practicable extent.

#### 926.4 Abbreviations

Abbreviations used in [Tables 926.1](#) and [926.2](#) signify the following:

| Abbreviation      | Term   |
|-------------------|--|
| <b>General</b>    |  |
| BW                | butt-welding   |
| CI                | cast iron  |
| DI                | ductile iron   |
| HT                | high temperature   |
| LT                | low temperature  |
| MI                | malleable iron   |
| SS                | stainless steel  |
| SW                | socket-welding   |
| Thd               | threaded   |
| TS                | tensile strength   |
| <b>Plastics</b>   |  |
| ABS               | acrylonitrile–butadiene–styrene                            |
| CPVC              | chlorinated polyvinyl chloride                             |
| PB                | polybutylene   |
| PE                | polyethylene   |
| PEX               | crosslinked polyethylene                                   |
| PP                | polypropylene  |
| PR                | pressure rating  |
| PVC               | polyvinyl chloride   |
| PVDF              | polyvinylidene difluoride                                  |
| RTP               | reinforced thermosetting plastic                           |
| RTR               | reinforced thermosetting resin                             |
| SDR               | standard dimension ratio                                   |
| <b>Composites</b> |  |
| PE-AL-PE          | polyethylene–aluminum–polyethylene                         |
| PEX-AL-PEX        | crosslinked polyethylene–aluminum–crosslinked polyethylene |

(20)

**Table 926.1 Component Standards and Specifications**

| Title  | Designation      |
|--|------------------|
| <b>Metallic Pipe, Fittings, Valves, and Flanges</b>  |                  |
| Line Pipe  | API 5L           |
| Check Valves: Flanged, Lug, Wafer, and Butt-Welding  | API 594          |
| Butterfly Valves: Double-Flanged, Lug- and Wafer-Type  | API 609          |
| Gray Iron Pipe Flanges and Flanged Fittings: Classes 25, 125 and 250   | ASME B16.1       |
| Malleable Iron Threaded Fittings, Classes 150 and 300  | ASME B16.3       |
| Cast Iron Threaded Fittings: Classes 125 and 250   | ASME B16.4       |
| Pipe Flanges and Flanged Fittings: NPS ½ Through NPS 24 Metric/Inch Standard                                   | ASME B16.5       |
| Factory-Made Wrought Steel Buttwelding Fittings  | ASME B16.9       |
| Face-to-Face and End-to-End Dimensions of Valves   | ASME B16.10      |
| Forged Fittings, Socket-Welding and Threaded   | ASME B16.11      |
| Ferrous Pipe Plugs, Bushings, and Locknuts With Pipe Threads   | ASME B16.14      |
| Cast Copper Alloy Threaded Fittings: Classes 125 and 250   | ASME B16.15      |
| Cast Copper Alloy Solder Joint Pressure Fittings   | ASME B16.18      |
| Wrought Copper and Copper Alloy Solder-Joint Pressure Fittings   | ASME B16.22      |
| Cast Copper Alloy Pipe Flange, Flanged Fittings and Valves: Classes 150, 300, 600, 900, 1,500, and 2,500       | ASME B16.24      |
| Cast Copper Alloy Fittings for Flared Copper Tubes   | ASME B16.26      |
| Wrought Steel Buttwelding Short Radius Elbows and Returns  | ASME B16.28      |
| Manually Operated Metallic Gas Valves for Use in Gas Piping Systems Up to 175 psig (Sizes NPS ½ Through NPS 2) | ASME B16.33      |
| Valves — Flanged, Threaded, and Welding End  | ASME B16.34      |
| Orifice Flanges  | ASME B16.36      |
| Malleable Iron Threaded Pipe Unions: Classes 150, 250, and 300   | ASME B16.39      |
| Ductile Iron Pipe Flanges and Flanged Fittings: Classes 150 and 300  | ASME B16.42      |
| Welded and Seamless Wrought Steel Pipe   | ASME B36.10M     |
| Stainless Steel Pipe   | ASME B36.19M     |
| Guidelines for Pressure Boundary Bolted Flange Joint Assembly  | ASME PCC-1       |
| Thermowells  | ASME PTC 19.3 TW |
| Refrigeration Tube Fittings — General Specifications   | SAE J513         |
| Ferritic Malleable Iron Castings   | ASTM A47         |
| Gray Iron Castings   | ASTM A48         |
| Pipe, Steel, Black and Hot-Dipped, Zinc Coated, Welded and Seamless  | ASTM A53         |
| Carbon Steel Forgings for Piping Components  | ASTM A105        |
| Seamless Carbon Steel Pipe for High-Temperature Service  | ASTM A106        |
| Gray Iron Castings for Valves, Flanges, and Pipe Fittings  | ASTM A126        |
| Electric-Resistance-Welded Steel Pipe  | ASTM A135        |
| Carbon Steel Forgings for General-Purpose Piping   | ASTM A181/A181M  |
| Cupola Malleable Iron  | ASTM A197        |
| Spiral-Welded Steel or Iron Pipe   | ASTM A211        |
| Piping Fittings of Wrought Carbon Steel and Alloy Steel for Moderate and High Temperature Service              | ASTM A234/A234M  |
| Copper-Brazed Steel Tubing   | ASTM A254        |
| Gray Iron Castings for Pressure-Containing Parts for Temperatures Up to 650°F (350°C)                          | ASTM A278/A278M  |
| Seamless, Welded and Heavily Cold Worked Austenitic Stainless Steel Pipes                                      | ASTM A312/A312M  |
| Ductile Iron Pressure Pipe   | ASTM A377        |
| Ferritic Ductile Iron Pressure-Retaining Castings for Use at Elevated Temperatures                             | ASTM A395/A395M  |
| Wrought Austenitic Stainless Steel Piping Fittings   | ASTM A403/A403M  |
| Ductile Iron Castings  | ASTM A536        |

**Table 926.1 Component Standards and Specifications (Cont'd)**

| Title   | Designation      |
|---|------------------|
| <b>Metallic Pipe, Fittings, Valves, and Flanges (Cont'd)</b>  |                  |
| Electric-Resistance-Welded Coiled Steel Tubing for Gas and Fuel Oil Lines   | ASTM A539        |
| Aluminum-Alloy Sand Castings  | ASTM B26/B26M    |
| Seamless Copper Pipe, Standard Sizes  | ASTM B42         |
| Seamless Red Brass Pipe, Standard Sizes   | ASTM B43         |
| Steam or Valve Bronze Castings  | ASTM B61         |
| Composition Bronze or Ounce Metal Castings  | ASTM B62         |
| Seamless Copper Tube, Bright Annealed   | ASTM B68/B68M    |
| Seamless Copper Tube  | ASTM B75/B75M    |
| Seamless Copper Water Tube  | ASTM B88/B88M    |
| Seamless Brass Tube [Note (1)]  | ASTM B135/B135M  |
| Aluminum and Aluminum-Alloy Drawn Seamless Tubes  | ASTM B210/B210M  |
| Aluminum and Aluminum-Alloy Seamless Pipe and Seamless Extruded Tube  | ASTM B241/B241M  |
| Aluminum and Aluminum-Alloy Die Forgings, Hand Forgings, and Rolled Ring Forgings   | ASTM B247/B247M  |
| General Requirements for Wrought Seamless Copper and Copper-Alloy Tube  | ASTM B251/B251M  |
| Seamless Copper Tube for Air Conditioning and Refrigeration Field Service   | ASTM B280        |
| Copper and Copper-Alloy Die Forgings (Hot-Pressed)  | ASTM B283        |
| Threadless Copper Pipe, Standard Sizes  | ASTM B302        |
| Factory-Made Wrought Aluminum and Aluminum-Alloy Welding Fittings   | ASTM B361        |
| Aluminum and Aluminum-Alloy Formed and Arc-Welded Round Tube  | ASTM B547        |
| Performance of Gasketed Mechanical Couplings for Use in Piping Applications [Note (2)]  | ASTM F1476       |
| Performance of Fittings for Use With Gasketed Mechanical Couplings Used in Piping Applications                                | ASTM F1548       |
| Ductile Iron and Gray-Iron Fittings   | AWWA C110/A21.10 |
| Ductile Iron Pipe, Centrifugally Cast, for Water  | AWWA C151/A21.51 |
| Steel Pipe Flanges for Waterworks Service, Sizes 4 in. Through 144 in. (100 mm Through 3,600 mm)                              | AWWA C207        |
| Dimensions for Fabricated Steel Water Pipe Fittings   | AWWA C208        |
| Metal-Seated Gate Valves for Water Supply Service   | AWWA C500        |
| Grooved and Shouldered Type Joints  | AWWA C606        |
| Pipe, Cast Gray Ductile Iron, Pressure (for Water and Other Liquids)  | FS WW-P-421D     |
| Corrosion-Resistant Gate, Globe, Angle, and Check Valves With Flanged and Butt Weld Ends (Classes 50, 300 and 600)            | MSS SP-42        |
| Wrought and Fabricated Butt-Welding Fittings for Low Pressure Corrosion Resistant Applications                                | MSS SP-43        |
| By-Pass and Drain Connections   | MSS SP-45        |
| Class 150LW Corrosion Resistant Cast Flanges and Flanged Fittings   | MSS SP-51        |
| Butterfly Valves  | MSS SP-67        |
| Gray Iron Gate Valves, Flanged and Threaded Ends  | MSS SP-70        |
| Gray Iron Swing Check Valves, Flanged and Threaded Ends   | MSS SP-71        |
| Ball Valves With Flanged or Butt-Welding Ends for General Service   | MSS SP-72        |
| Cast Iron Plug Valves, Flanged and Threaded Ends  | MSS SP-78        |
| Socket Welding Reducer Inserts  | MSS SP-79        |
| Bronze Gate, Globe, Angle, and Check Valves   | MSS SP-80        |
| Class 3000 and 6000 Pipe Unions, Socket Welding and Threaded (Carbon Steel, Alloy Steel, Stainless Steels, and Nickel Alloys) | MSS SP-83        |
| Cast Iron Globe and Angle Valves, Flanged and Threaded Ends   | MSS SP-85        |
| Diaphragm Valves  | MSS SP-88        |
| Ball Valves Threaded, Socket-Welding, Solder Joint, Grooved and Flared Ends [Note (3)]  | MSS SP-110       |
| In-line, Spring-Assisted, Center-Guided Check Valves (Carbon, Alloy Steel, Stainless Steel and Nickel Alloys)                 | MSS SP-126       |



**Table 926.1 Component Standards and Specifications (Cont'd)**

| Title   | Designation     |
|---|-----------------|
| <b>Metallic Pipe, Fittings, Valves, and Flanges (Cont'd)</b>  |                 |
| Ductile Iron Gate Valves  | MSS SP-128      |
| Ductile Iron Swing Check Valves   | MSS SP-136      |
| <b>Nonmetallic Pipe, Composite Pipe, Fittings, Valves, and Flanges</b>  |                 |
| Reinforced Concrete Low-Head Pressure Pipe  | ASTM C361/C361M |
| Contact-Molded Reinforced Thermosetting Plastic (RTP) Laminates for Corrosion-Resistant Equipment   | ASTM C582       |
| Acrylonitrile-Butadiene-Styrene (ABS) Plastic Pipe, Schedules 40 and 80   | ASTM D1527      |
| Poly(Vinyl Chloride) (PVC) Plastic Pipe, Schedules 40, 80, and 120  | ASTM D1785      |
| Polyethylene (PE) Plastic Pipe, Schedule 40   | ASTM D2104      |
| Polyethylene (PE) Plastic Pipe (SIDR-PR) Based on Controlled Inside Diameter  | ASTM D2239      |
| Poly(Vinyl Chloride) (PVC) Pressure-Rated Pipe (SDR Series)   | ASTM D2241      |
| Acrylonitrile-Butadiene-Styrene (ABS) Plastic Pipe (SDR-PR)   | ASTM D2282      |
| Classification for Machine-Made "Fiberglass" (Glass-Fiber-Reinforced Thermosetting-Resin) Pipe  | ASTM D2310      |
| Polyethylene (PE) Plastic Pipe, Schedules 40 and 80, Based on Outside Diameter  | ASTM D2447      |
| Threaded Poly(Vinyl Chloride) (PVC) Plastic Pipe Fittings, Schedule 80  | ASTM D2464      |
| Poly(Vinyl Chloride) (PVC) Plastic Pipe Fittings, Schedule 40   | ASTM D2466      |
| Poly(Vinyl Chloride) (PVC) Plastic Pipe Fittings, Schedule 80   | ASTM D2467      |
| Acrylonitrile-Butadiene-Styrene (ABS) Plastic Pipe Fittings, Schedule 40  | ASTM D2468      |
| Polyethylene (PE) Gas Pressure Pipe, Tubing, and Fittings   | ASTM D2513      |
| Reinforced Epoxy Resin Gas Pressure Pipe and Fittings   | ASTM D2517      |
| Plastic Insert Fittings for Polyethylene (PE) Plastic Pipe  | ASTM D2609      |
| Joints for IPS PVC Pipe Using Solvent Cement  | ASTM D2672      |
| Socket-Type Polyethylene Fittings for Outside Diameter-Controlled Polyethylene Pipe and Tubing  | ASTM D2683      |
| Polyethylene (PE) Plastic Tubing  | ASTM D2737      |
| Chlorinated Poly(Vinyl Chloride) (CPVC) Plastic Hot- and Cold-Water Distribution Systems  | ASTM D2846      |
| Filament-Wound "Fiberglass" (Glass-Fiber-Reinforced Thermosetting-Resin) Pipe   | ASTM D2996      |
| Centrifugally Cast "Fiberglass" (Glass-Fiber-Reinforced Thermosetting-Resin) Pipe   | ASTM D2997      |
| Polyethylene (PE) Plastic Pipe (DR-PR) Based on Controlled Outside Diameter   | ASTM D3035      |
| Butt Heat Fusion Polyethylene (PE) Plastic Fittings for Polyethylene (PE) Plastic Pipe and Tubing   | ASTM D3261      |
| Biaxially Oriented PE (PEO) Plastic Pipe (SDR-PR) Based on Controlled Outside Diameter  | ASTM D3287      |
| "Fiberglass" (Glass-Fiber-Reinforced Thermosetting-Resin) Pressure Pipe   | ASTM D3517      |
| "Fiberglass" (Glass-Fiber-Reinforced Thermosetting-Resin) Sewer and Industrial Pressure Pipe  | ASTM D3754      |
| "Fiberglass" (Glass-Fiber-Reinforced Thermosetting-Resin) Pipe Fittings for Nonpressure Applications  | ASTM D3840      |
| Threaded Chlorinated Poly(Vinyl Chloride) (CPVC) Plastic Pipe Fittings, Schedule 80   | ASTM F437       |
| Socket-Type Chlorinated Poly(Vinyl Chloride) (CPVC) Plastic Pipe Fittings, Schedule 40  | ASTM F438       |
| Chlorinated Poly(Vinyl Chloride) (CPVC) Plastic Pipe Fittings, Schedule 80  | ASTM F439       |
| Chlorinated Poly(Vinyl Chloride) (CPVC) Plastic Pipe, Schedules 40 and 80   | ASTM F441       |
| Chlorinated Poly(Vinyl Chloride) (CPVC) Plastic Pipe (SDR-PR)   | ASTM F442       |
| Polyethylene (PE) Plastic Pipe (DR-PR) Based on Outside Diameter  | ASTM F714       |
| Crosslinked Polyethylene (PEX) Tubing   | ASTM F876       |
| Crosslinked Polyethylene (PEX) Hot- and Cold-Water Distribution Systems   | ASTM F877       |
| Crosslinked Polyethylene/Aluminum/Crosslinked Polyethylene (PEX-AL-PEX) Pressure Pipe   | ASTM F1281      |
| Polyethylene/Aluminum/Polyethylene (PE-AL-PE) Composite Pressure Pipe   | ASTM F1282      |
| Pressure-Rated Composite Pipe and Fittings for Elevated Temperature Service   | ASTM F1335      |
| Cold-Expansion Fittings With Metal Compression-Sleeves for Crosslinked Polyethylene (PEX) Pipe and SDR9 Polyethylene of Raised Temperature (PE-RT) Pipe | ASTM F2080      |
| Reinforced Concrete Pressure Pipe, Steel Cylinder Type  | AWWA C300       |
| Prestressed Concrete Pressure Pipe, Steel Cylinder Type   | AWWA C301       |

**Table 926.1 Component Standards and Specifications (Cont'd)**

| Title  | Designation      |
|--|------------------|
| <b>Nonmetallic Pipe, Composite Pipe, Fittings, Valves, and Flanges (Cont'd)</b>  |                  |
| Reinforced Concrete Pressure Pipe, Noncylinder Type  | AWWA C302        |
| Polyvinyl Chloride (PVC) Pressure Pipe and Fabricated Fittings, 4 in. Through 60 in. (100 mm Through 1,500 mm)               | AWWA C900        |
| <b>Miscellaneous Components</b>  |                  |
| Unified Inch Screw Threads (UN, UNR, and UNJ Thread Forms)   | ASME B1.1        |
| Pipe Threads, General Purpose (Inch)   | ASME B1.20.1     |
| Dryseal Pipe Threads (Inch)  | ASME B1.20.3     |
| Hose Coupling Screw Threads (Inch)   | ASME B1.20.7     |
| Nonmetallic Flat Gaskets for Pipe Flanges  | ASME B16.21      |
| Buttwelding Ends   | ASME B16.25      |
| Square, Hex, Heavy Hex, and Askew Head Bolts and Hex, Heavy Hex, Hex Flange, Lobed Head, and Lag Screws (Inch Series)        | ASME B18.2.1     |
| Nuts for General Applications: Machine Screw Nuts, Hex, Square, Hex Flange, and Coupling Nuts (Inch Series)                  | ASME B18.2.2     |
| Carbon Structural Steel  | ASTM A36/A36M    |
| Carbon Steel Track Bolts and Nuts  | ASTM A183        |
| Alloy-Steel and Stainless Steel Bolting for High Temperature or High Pressure Service and Other Special Purpose Applications | ASTM A193/A193M  |
| Carbon Steel, Alloy Steel, and Stainless Steel Nuts for Bolts for High Pressure or High Temperature Service, or Both         | ASTM A194/A194M  |
| Carbon Steel Bolts, Studs, and Threaded Rod 60 000 psi Tensile Strength  | ASTM A307        |
| Structural Steel Shapes  | ASTM A992/A992M  |
| Solder Metal   | ASTM B32         |
| Threads 60° (Stub) for Fiberglass (Glass-Fiber-Reinforced Thermosetting-Resin) Pipe  | ASTM D1694       |
| Solvent Cement for Acrylonitrile-Butadiene-Styrene (ABS) Plastic Pipe and Fittings   | ASTM D2235       |
| Solvent Cements for PVC Plastic Piping Systems   | ASTM D2564       |
| Solvent Cements for Transition Joints Between ABS and PVC Non-Pressure Piping Components                                     | ASTM D3138       |
| Joints for Plastic Pressure Pipes Using Flexible Elastometric Seals  | ASTM D3139       |
| Solvent Cements for CPVC Plastic Pipe and Fittings   | ASTM F493        |
| Pressure-Rated Polypropylene (PP) Piping Systems   | ASTM F2389       |
| Metallic Press-Connect Fittings for Piping and Tubing Systems  | ASTM F3226       |
| Rubber-Gasket Joints for Ductile-Iron Pressure Pipe and Fittings   | AWWA C111/A21.11 |
| Carbon Steel Electrodes for Shielded Metal Arc Welding   | AWS A5.1         |
| Carbon and Low Alloy Steel Rods for Oxyfuel Gas Welding  | AWS A5.2         |
| Aluminum and Aluminum Alloy Electrodes for Shielded Metal Arc Welding  | AWS A5.3         |
| Stainless Steel Electrodes for Shielded Metal Arc Welding  | AWS A5.4         |
| Low-Alloy Steel Electrodes for Shielded Metal Arc Welding  | AWS A5.5         |
| Copper and Copper-Alloy Electrodes for Shielded Metal Arc Welding  | AWS A5.6         |
| Copper and Copper-Alloy Bare Welding Rods and Electrodes   | AWS A5.7         |
| Filler Metals for Brazing and Brace Welding  | AWS A5.8         |
| Bare Stainless Steel Welding Electrodes and Rods   | AWS A5.9         |
| Bare Aluminum-Alloy Welding Electrodes and Rods  | AWS A5.10        |
| Tungsten and Oxide Dispersed Tungsten Electrodes for Arc Welding and Cutting   | AWS A5.12        |
| Carbon Steel Electrodes and Fluxes for Submerged Arc Welding   | AWS A5.17        |
| Carbon Steel Electrodes and Rods for Gas Shielded Arc Welding  | AWS A5.18        |
| Carbon Steel Electrodes for Flux Cored Arc Welding   | AWS A5.20        |

**Table 926.1 Component Standards and Specifications (Cont'd)**

| Title   | Designation |
|---|-------------|
| <b>Miscellaneous Components (Cont'd)</b>  |             |
| Stainless Steel Flux Cored and Metal Cored Welding Electrodes and Rods                                | AWS A5.22   |
| Low-Alloy Steel Electrodes and Fluxes for Submerged Arc Welding                                       | AWS A5.23   |
| Standard Finishes for Contact Faces of Pipe Flanges and Connecting-End Flanges of Valves and Fittings | MSS SP-6    |
| Standard Marking System for Valves, Fittings, Flanges, and Unions                                     | MSS SP-25   |
| Pipe Hangers and Supports — Materials, Design, Manufacture, Selection, Application, and Installation  | MSS SP-58   |
| Bracing for Piping Systems: Seismic-Wind-Dynamic Design, Selection, and Application                   | MSS SP-127  |
| Hydraulic Tube Fittings   | SAE J514    |

GENERAL NOTE: The approved years of issue of standards and specifications listed in this Table are given in [Mandatory Appendix III](#).

NOTES:

- (1) Applicability limited to alloy UNS No. C23000.
- (2) This standard requires testing of couplings with bending moments applied that are equivalent to support spacings shorter than those permitted by [para. 921.1.3](#). Couplings should be tested with bending moments applied that correspond to support spacings equal to or greater than those to be used in the piping installation.
- (3) See [para. 923.1.2](#) for permissible materials.

**Table 926.2 Standard Practices**

| Title   | Designation      |
|---|------------------|
| <b>American Petroleum Institute (API or ANSI/API)</b>   |                  |
| Fire Test for Soft-Seated Quarter-Turn Valves, Fourth Edition   | API Std 607-1993 |
| <b>American Society for Testing and Materials (ASTM International)</b>  |                  |
| Standard Practice for Making Capillary Joints by Soldering of Copper and Copper Alloy Tube and Fittings   | ASTM B828        |
| Test Methods for Flash Point by Pensky-Martens Closed Cup Tester  | ASTM D93         |
| Test Method for Time-to-Failure of Plastic Pipe Under Constant Internal Pressure  | ASTM D1598       |
| Test Method for Cyclic Pressure Strength of Reinforced, Thermosetting Plastic Pipe  | ASTM D2143       |
| Standard Practice for Heat Fusion Joining of Polyolefin Pipe and Fittings   | ASTM D2657       |
| Standard Practice for Underground Installation of Thermoplastic Pressure Piping   | ASTM D2774       |
| Test Method for Obtaining Hydrostatic Design Basis for Thermoplastic Pipe Materials or Pressure Design Basis for Thermoplastic Pipe Products                  | ASTM D2837       |
| Standard Practice for the Two-Step (Primer and Solvent Cement) Method of Joining Poly (Vinyl Chloride) (CPVC) Pipe and Piping Components With Tapered Sockets | ASTM D2855       |
| Standard Practice for Obtaining Hydrostatic or Pressure Design Basis for "Fiberglass" (Glass-Fiber-Reinforced Thermosetting-Resin) Pipe and Fittings          | ASTM D2992       |
| Practice for Flaring Polyolefin Pipe and Tubing   | ASTM D3140       |
| Test Method for Strength of Anchors in Concrete Elements  | ASTM E488        |
| Standard Practice for Safe Handling of Solvent Cements, Primers, and Cleaners Used for Joining Thermoplastic Pipe and Fittings                                | ASTM F402        |
| Standard Terminology Relating to Plastic Piping Systems   | ASTM F412        |
| Standard Specification for Non-Reinforced Extruded Tee Connections for Piping Applications  | ASTM F2014       |
| <b>American Water Works Association (AWWA or ANSI/AWWA)</b>   |                  |
| Thickness Design of Ductile Iron Pipe   | AWWA C150/A21.50 |
| Installation of Ductile-Iron Water Mains and Their Appurtenance   | AWWA C600        |
| <b>Copper Development Association (CDA)</b>   |                  |
| Copper Tube Handbook  | ...              |
| <b>Manufacturers Standardization Society of the Valve and Fittings Industry (MSS)</b>   |                  |
| Pipe Hangers and Supports — Materials, Design, Manufacture, Selection, Application, and Installation  | MSS SP-69        |
| Pipe Hangers and Supports — Fabrication and Installation Practices  | MSS SP-89        |
| Guidelines on Terminology for Pipe Hangers and Supports   | MSS SP-90        |

GENERAL NOTE: The approved years of issue of standards and specifications listed in this Table are given in [Mandatory Appendix III](#).

# Chapter V

## Fabrication, Assembly, and Erection

### 927 WELDED FABRICATION OF METALS

#### 927.1 General

Welding shall be performed in accordance with the qualification requirements of [para. 927.5](#). Limitations on imperfections and acceptance standards are as stated in [Chapter VI](#) or in the engineering design.

#### 927.2 Materials

**927.2.1 Electrodes and Filler Metal.** Welding electrodes and filler metal, including consumable inserts, shall conform to the requirements of ASME BPVC, Section II, Part C. An electrode or filler metal not conforming to those requirements may be used, provided the WPS, welders, and welding operators who will follow the WPS have been qualified as required by ASME BPVC, Section IX.

Unless otherwise specified by the designer, welding electrodes and filler metals used shall produce weld metal that complies with the following:

(a) The nominal tensile strength of the weld metal shall equal or exceed the tensile strength of the base metals being joined.

(b) If base metals of different tensile strengths are to be joined, the nominal tensile strength of the weld metal shall equal or exceed the tensile strength of the weaker of the two.

(c) The nominal chemical analysis of the weld metal shall be the same as the nominal chemical analysis of the major alloying elements of the base metal.

(d) If base metals of differing chemical analysis are being joined, the nominal chemical analysis of the weld metal shall be the same as either base metal or an intermediate composition, except as specified in (e) for austenitic steels joined to ferritic steels.

(e) When austenitic steels are joined to ferritic steels, the weld metal shall have an austenitic structure.

(f) For nonferrous metals, the weld metal shall be that recommended by the manufacturer of the nonferrous metal or by industry associations for that metal.

(g) For unusual materials or combinations of materials, the design engineer shall specify the weld metal that is required.

**927.2.2 Backing Rings.** Backing rings are not required, but when used, they shall be of a material compatible with the base metal and shall fit the inside diameter of the pipe. Backing rings may be tacked to the inside of the pipe and shall be fused into the root of the weld.

#### 927.3 Preparation

##### 927.3.1 Butt and Miter Welds

(a) *End Preparation.* End preparation for butt and miter joint welds shall be as shown in the WPS. The basic bevel angles shown in ASME B16.25 may be used. Oxygen or arc cutting is acceptable only if the cut is reasonably smooth and true. Discoloration that may remain on the flame-cut surface is not considered to be detrimental oxidation.

(b) *Cleaning.* Weld areas and surfaces shall be clean and free from paint, oil, rust, scale, or any other material detrimental to the weld or base metal before welding begins and shall be kept clean during welding. All slag shall be cleaned from flame-cut surfaces.

(c) *Internal Alignment.* The prepared ends of piping components to be joined shall be aligned as accurately as is practicable within commercial tolerances on diameter, wall thickness, and out-of-roundness. Alignment shall be preserved during welding.

(d) *Spacing.* The root opening of the joint shall be as given in the welding procedure.

**927.3.2 Fillet Welds.** If fillet welding is used in joining piping components, applicable requirements of [para. 927.3.1](#) shall be met in preparing the parts for welding.

#### 927.4 Rules for Welding

##### 927.4.1 General

(a) *Protection of Work.* No welding shall be done if there is impingement of rain, snow, sleet, or high wind on the weld area, or if the weld area is frosted or wet.

(b) *Preheat.* Preheating shall be as required by the WPS.

##### 927.4.2 Butt and Miter Welds

(a) *Tack Welds.* Tack welds shall be made by a qualified welder or shall be removed. Tack welds that have cracked shall be removed. Tack welds shall be made with filler metal that is compatible with the first pass filler metal and shall be fused with the first pass.

(b) *External Alignment.* If the external surfaces of the two components are not aligned, the weld shall be tapered between the surfaces.

(c) *Joint Design and Fit-Up.* Pipe shall be cut, beveled, and tack welded, or otherwise held in alignment to provide a good fit that will permit full-penetration welding.

### 927.4.3 Fillet and Socket Welds

(a) *Welding.* The applicable provisions of para. 927.4.2(a) shall be followed.

(b) *Contour.* Fillet and socket welds may vary from convex to concave. The size of a fillet weld is determined as shown in Figure 927.4.3-1.

(c) *Details.* Minimum fillet welds for slip-on flanges and socket welding components are shown in Figures 927.4.3-2 and 927.4.3-3.

**927.4.4 Seal Welds.** If seal welding of threaded joints is performed, the surfaces shall be cleaned and all exposed threads shall be covered by the seal weld. Seal welding shall be done by qualified welders.

**927.4.5 Welded Flat Heads.** Typical minimum weld sizes for attachment of flat heads are shown in Figure 927.4.5-1. Attachment methods shown in Figure 927.4.5-2 are not acceptable.

### 927.4.6 Welded Branches

(20)

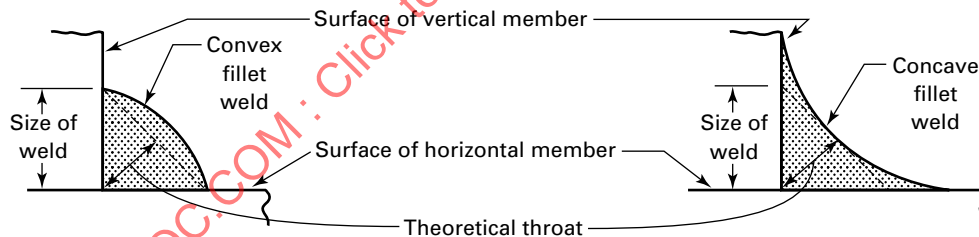
(a) *Branch Connections.* Figure 927.4.6-1 illustrates welded branch connections with and without added reinforcing. No attempt has been made to show all acceptable types of constructions. The fact that one type of construction is illustrated does not indicate that it is recommended over other types not shown.

(b) *Weld Details.* Figure 927.4.6-2 shows basic types of welds used in fabricating branch connections. The locations and minimum sizes of welds shall conform to the requirements of this figure.

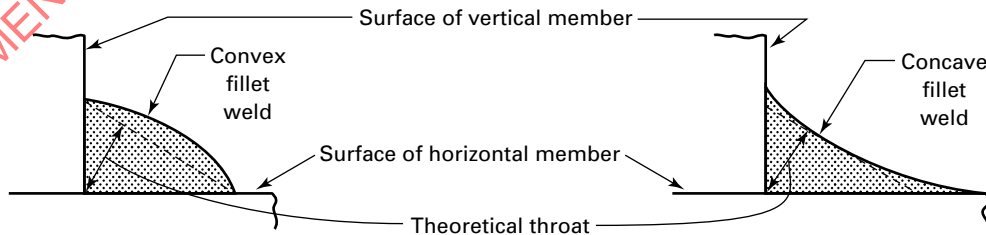
Figure 927.4.6-3 shows branch connections using integrally reinforced branch outlet fittings welded directly to the run pipe. The weld shall fill the joint out to the manufacturer's weld line. Where there is no manufacturer's weld line, the weld shall completely fill the groove. A fillet weld size that is the lesser of 1.4 times the nominal run pipe thickness and  $\frac{1}{4}$  in. shall be present at the longitudinal centerline of the fitting and transition gradually to a butt joint as the weld approaches the run pipe horizontal centerline.

(c) *Branch Contours.* Branch connections (including integrally reinforced welding outlet fittings) that abut the outside surface of the main pipe wall or are inserted into an opening in the main pipe wall shall have openings

Figure 927.4.3-1 Fillet Weld Size



(a) Equal Leg Fillet Weld [Note (1)]



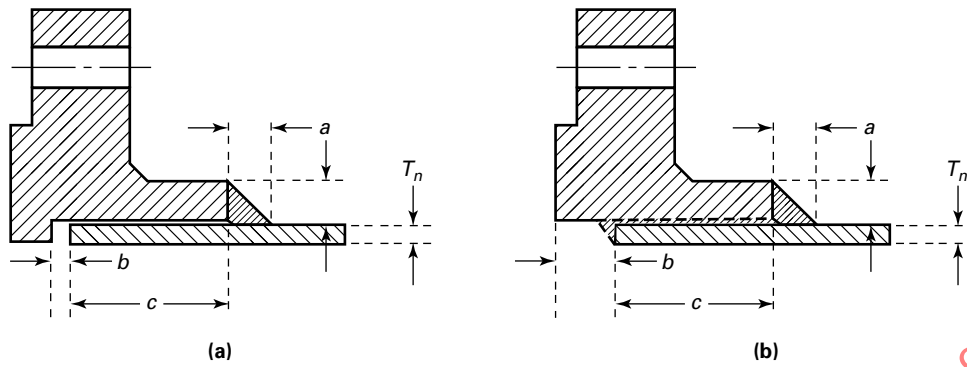
(b) Unequal Leg Fillet Weld [Note (2)]

NOTES:

- (1) The size of an equal leg fillet weld is the length of the largest inscribed isosceles right triangle. (Theoretical throat =  $0.707 \times$  size.)  
 (2) The size of an unequal leg fillet weld is the leg length of the largest right triangle that can be inscribed within the weld cross section [e.g.,  $\frac{1}{2}$  in.  $\times$   $\frac{3}{4}$  in. (12.7 mm  $\times$  19 mm)].



Figure 927.4.3-2 Minimum Weld Size, Setback, and Depth of Insertion for Slip-On and Socket Weld Flanges

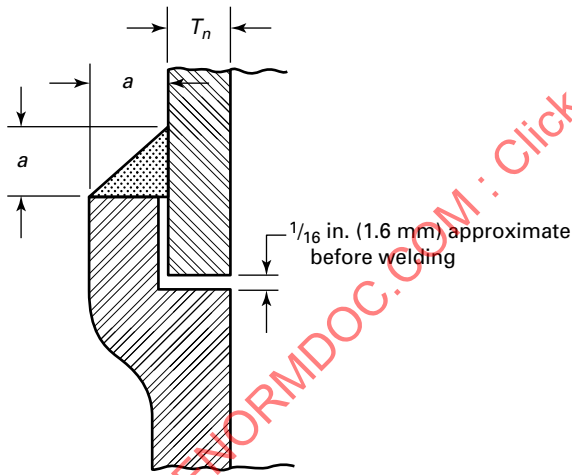


- $a$  = weld size: the lesser of  $1.4T_n$  or the thickness of the hub, but not less than  $\frac{1}{8}$  in. (3 mm)
- $b$  = setback distance:  $\frac{1}{16}$  in. (1.5 mm) minimum if a flange face seal weld is not used. If a flange face seal weld is used, the minimum shall be that necessary to avoid damage to the gasket surface due to welding.
- $c$  = depth of insertion: minimum of the greater of  $T_n$  or  $\frac{1}{4}$  in. (6 mm)
- $T_n$  = nominal wall thickness

GENERAL NOTES:

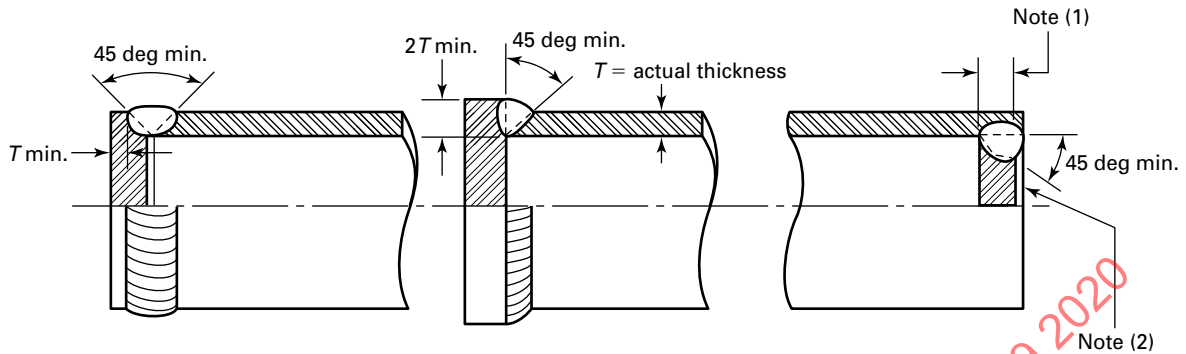
- (a) These sketches illustrate some acceptable methods for attachment of slip-on and socket welding flanges.
- (b) Welding of the flange face seal weld is optional unless specified in the engineering design.
- (c) Depth of insertion shown is for illustration only.

Figure 927.4.3-3 Minimum Welding Dimensions for Socket-Welding Components Other Than Flanges



$a$  = the greater of  $1.1 T_n$  or  $\frac{1}{8}$  in. (3.2 mm)

Figure 927.4.5-1 Acceptable Welds for Flat Heads



## NOTES:

- (1) Greater of:  $2 \times$  required pipe thickness, or  $1.25 \times$  actual pipe thickness, but need not exceed required minimum thickness of closure.  
 (2) Pipe may project beyond weld. Closure may be beveled (45 deg max.) beyond weld.

and branch contours that provide a good fit and that will permit a fully penetrated groove weld.

(d) **Reinforcement.** In branch connections having reinforcement pads or saddles, the reinforcement shall be attached by welds around the branch pipe and the outer periphery, as shown in Figure 927.4.6-1, sketch (b). A vent hole shall be provided (at the side, not at the crotch) in the ring or saddle to reveal leakage in the weld between branch and main and to provide venting during welding or heat treatment. Rings or saddles may be made in more than one piece if the joints between the pieces have adequate strength and if each piece is provided with a vent hole. A good fit shall be provided between rings or saddles and the parts to which they are attached.

**927.4.7 Structural Attachments and Supports.** Welds for structural attachments and supports shall be fully penetrated groove welds or fillet welds, unless otherwise specified in the engineering design. Attachment welds shall be made by qualified welders.

**927.4.8 Weld Defect Repairs.** Defects in welds shall be removed to sound metal. Repair welds shall be made in accordance with the procedure used for the original welds, or by another welding method only if it is to a qualified procedure, recognizing that the cavity to be repaired may differ in contour and dimensions from the original joint.

**927.5 Qualification**

The employer is responsible for

- (a) the welding performed by personnel of their organization
- (b) conducting the qualification tests required to qualify the WPS used by personnel in their organization, except as provided in paras. 927.6.1 and 927.6.2
- (c) conducting the qualification tests required to qualify the welders and welding operators, except as provided in para. 927.6.3

**927.6 Qualification Requirements**

Welding Procedure Specifications to be followed in production welding shall be prepared and qualified; welders and welding operators shall be qualified as

Figure 927.4.5-2 Unacceptable Welds for Flat Heads

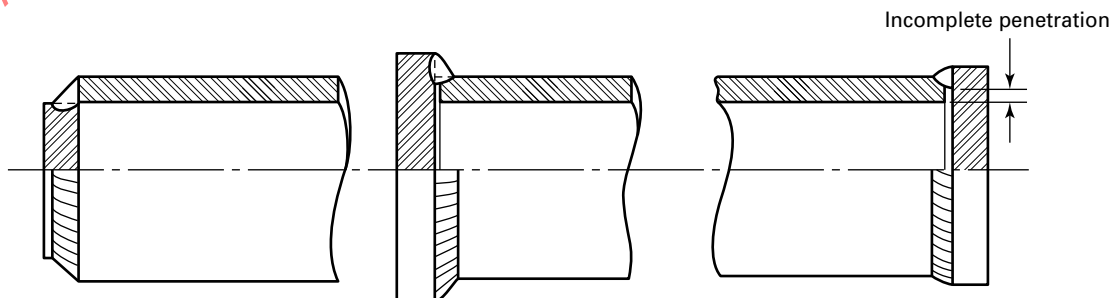


Figure 927.4.6-1 Typical Weld Branch Connections

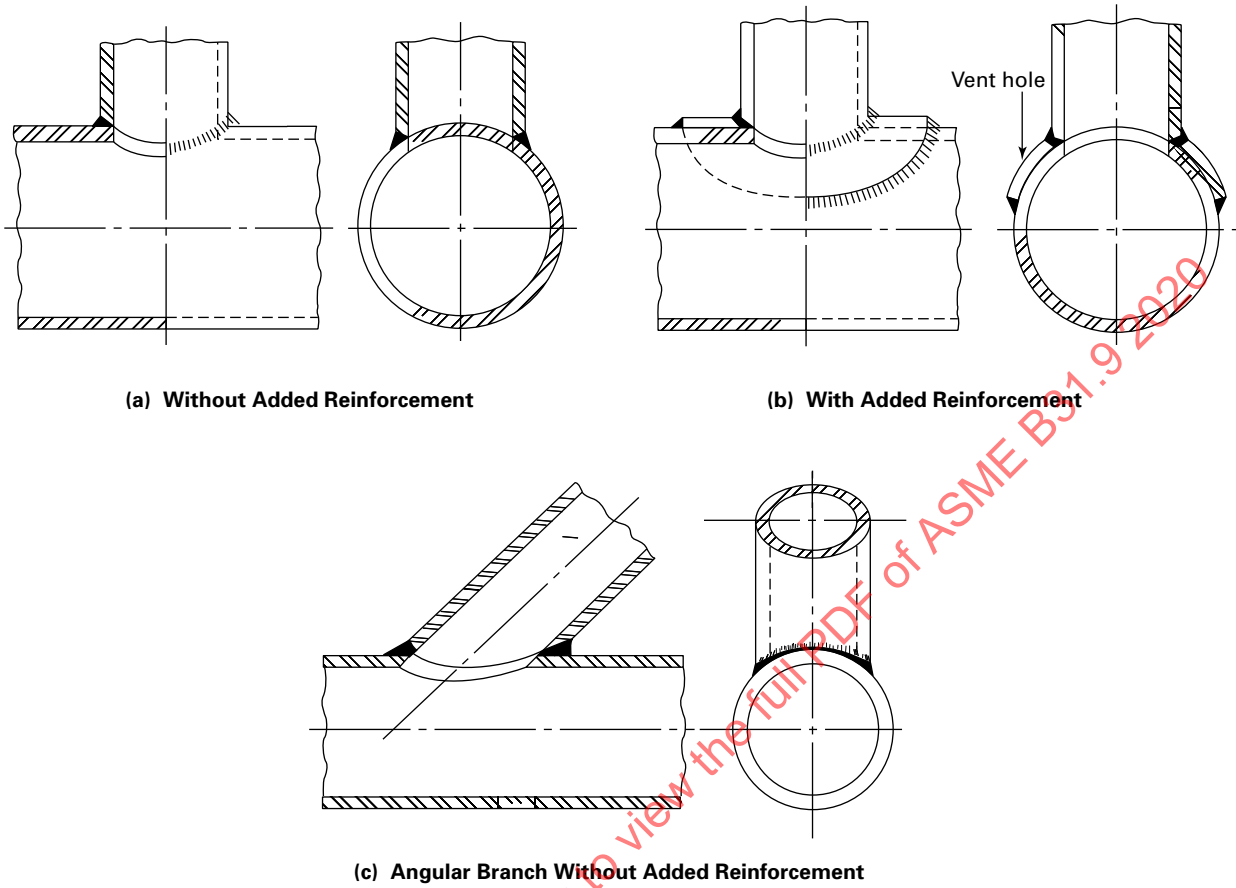
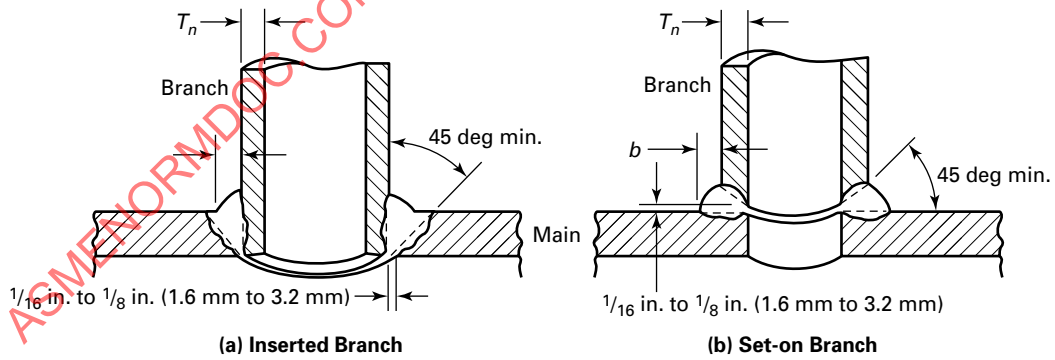


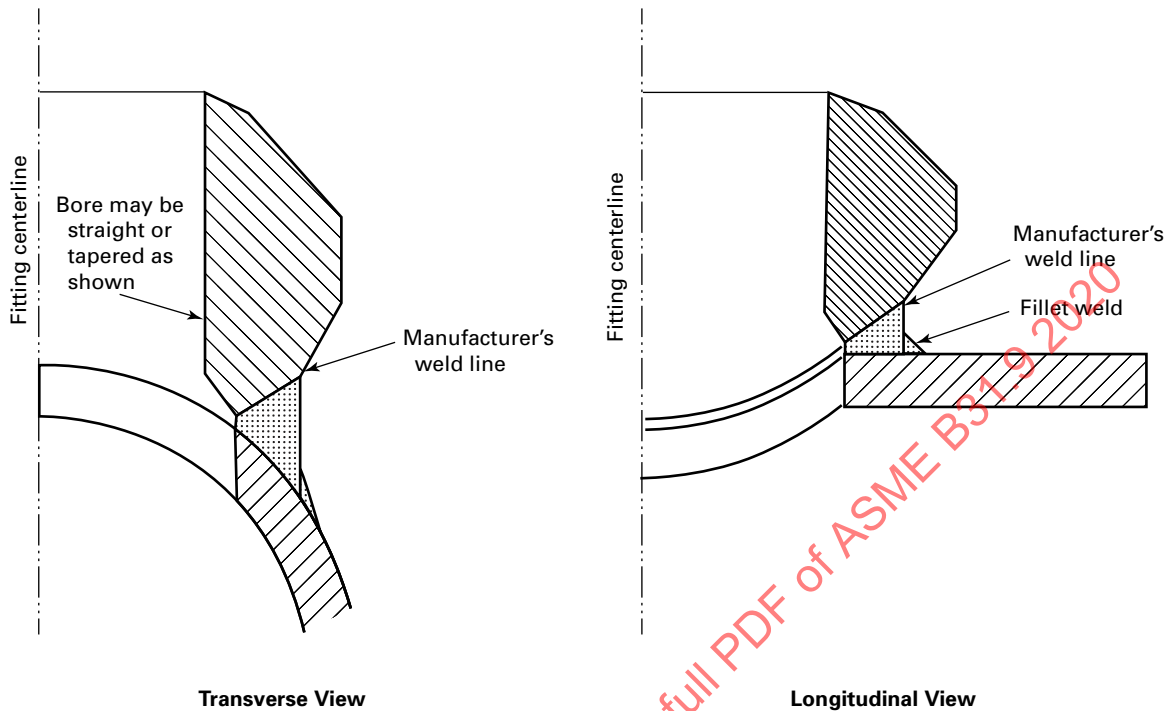
Figure 927.4.6-2 Typical Weld Details



$b = \text{the lesser of } T_n \text{ (branch) or } 1/4 \text{ in. (6.4 mm)}$

Figure 927.4.6-3 Integrally Reinforced Branch Connection Fitting

(20)



required by ASME BPVC, Section IX, except as modified by paras. 927.6.1 and 927.6.2.

**927.6.1 Standard Welding Procedures.** Standard Welding Procedure Specifications (SWPSs) published by the American Welding Society and listed in ASME BPVC, Section IX, Mandatory Appendix E are permitted for code construction within the limitations established by ASME BPVC, Section IX, Article V, including performing either the demonstration weld described in Section IX, QW-500 or by qualifying one welder following each SWPS.

**927.6.2 Procedure Qualification by Others.** To avoid duplication of effort and subject to the approval of the owner, WPSs qualified by a technically competent group or agency may be used, provided the following are met:

(a) The WPSs meet the requirements of ASME BPVC, Section IX and any additional qualification requirements of this Code.

(b) The employer has qualified at least one welder or welding operator following each WPS.

(c) The employer's business name shall be shown on each WPS and on each qualification record. In addition, the employer shall sign and date the qualification records, thereby accepting responsibility for the qualifications performed by others.

**927.6.3 Performance Qualification by Others.** To avoid duplication of effort and subject to the approval of the owner, an employer may accept the performance qualification of a welder or welding operator made by a previous employer. This acceptance is limited to performance qualifications that were made on pipe or tube test coupons. The new employer shall have the WPS that was followed during qualification or an equivalent WPS that is within the limits of the essential variables set forth in ASME BPVC, Section IX. An employer accepting such qualification tests shall obtain a copy of the performance qualification test record from the previous employer. The record shall show the name of the employer by whom the welder or welding operator was qualified and the date of that qualification. Evidence shall also be provided that the welder or welding operator has maintained qualification in accordance with ASME BPVC, Section IX, QW-322, except that this evidence may be provided by an employer responsible for the individual's welding performance, even if not the original qualifying employer. The new employer's business name shall be shown on the qualification record, and the new employer shall sign and date the qualification records, thereby accepting responsibility for the qualifications performed by others.

**927.6.4 Qualification Records.** The employer shall maintain copies of the procedure and performance qualification records specified by ASME BPVC, Section IX, and they shall be available to the owner or the owner's agent

and the Inspector at the location where welding is being done.

## 928 BRAZING AND SOLDERING OF METALS

### 928.1 Brazing

#### 928.1.1 Brazing Materials

(a) *Filler Metal.* The brazing filler metal shall conform to an applicable AWS classification.

(b) *Flux.* When required, fluxes shall be compatible with the materials brazed and with the filler metal used. Flux residue should be removed when joints are completed.

**928.1.2 Preparation and Technique.** The technique for brazing in the Copper Tube Handbook of the CDA shall be followed.

**928.1.3 Brazing Qualification.** Brazing procedure and performance qualification are not required. If qualification is specified in the engineering design, the requirements in ASME BPVC, Section IX are acceptable.

### 928.2 Soldering

#### 928.2.1 Materials

(a) *Filler Metal.* Filler metal shall conform to the applicable ASTM specification. Solder shall melt and flow freely within the specified temperature range.

(b) *Flux.* Flux should be used to prevent oxidation during soldering and to promote surface wettability.

**928.2.2 Preparation and Technique.** The technique for soldering in ASTM B828 shall be followed.

## 929 BENDING

### 929.1 General

Pipe may be bent to any radius by any hot or cold method that results in a bend surface free of cracks and substantially free of buckles. Such bends shall meet the design requirements of [para. 904.2.1](#). This shall not prohibit the use of creased or corrugated bends if specified in the engineering design.

## 930 FORMING

### 930.1 General

Piping components may be formed (by swaging, lapping, or upsetting of pipe ends; by extrusion of necks; etc.) by any suitable hot or cold method that results in formed surfaces that conform to specified dimensions and are uniform and free of cracks and tears.

### 930.2 Mechanically Formed Extruded Outlets in Copper Tube

(a) Mechanically formed extruded outlets shall be perpendicular to the axis of the run tube (header). They shall be formed by drilling a pilot hole and drawing out the tube surface to form a collar having a height of not less than three times the thickness of the branch wall. The collaring device shall be such as to ensure proper assembly of the joint.

(b) The inner branch tube end shall conform to the shape of the inner curve of the run tube. Insertion of the branch tube shall be controlled to ensure alignment with specified depth into the collar without extending into the flow stream so as to provide internal reinforcement to the collar.

(c) Branches can be formed up to the run tube size as shown in ASTM F2014. Forming procedures shall be in accordance with the tool manufacturer's recommendations.

(d) All joints shall be brazed in accordance with [para. 928.1](#).

(e) The allowable pressure for the joint shall be the lowest value calculated by [eq. \(10\)](#), [eq. \(11\)](#), or [eq. \(12\)](#).

$$P = \frac{S[D_b T_m + 5.00(T_b + T_m)]}{D_b(D_m + 2.5)} \quad (10)$$

$$P = \frac{2ST_m}{D_m} \quad (11)$$

$$P = \frac{2ST_b}{D_b} \quad (12)$$

where

$D_b$  = branch tube outside diameter, in. (mm)

$D_m$  = main tube outside diameter, in. (mm)

$S$  = allowable stress of the material, psi (kPa)

$T_b$  = branch tube wall thickness, net of mill tolerance and corrosion, in. (mm)

$T_m$  = main tube wall thickness, net of mill tolerance and corrosion, in. (mm)

## 931 HEAT TREATMENT

(20)

The materials and material thicknesses permitted under this Code do not require heat treatment. If the engineering design specifies heat treatment after welding, these requirements shall be made part of the WPS.

It is recommended that the engineer consider the provisions of ASME B31P when imposing heat treatments.

## 934 FABRICATION OF NONMETALS

### 934.1 Joining Thermoplastic Piping

**934.1.1 Materials.** Adhesives, cements, and sealers used to join piping components shall be compatible with the materials being joined and shall conform to applicable ASTM specifications. Joining materials that have deteriorated by exposure to air, that are beyond the shelf life recommended by the manufacturer, or that will not spread smoothly shall not be used.

#### 934.1.2 Solvent-Cemented Joints

(a) *Preparation.* PVC and CPVC surfaces to be solvent cemented shall be cleaned. Cleaning for ABS shall conform to ASTM D2235. Cuts shall be free of burrs. Circumferential cuts shall be as square as those obtained by use of a saw with miter box. A slight interference fit between pipe and fitting socket is preferred, and diametral clearance between pipe and entrance of socket shall not exceed 0.04 in. (1.0 mm). This fit shall be checked before solvent cementing.

(b) *Procedure.* Solvent-cemented joints shall be made in accordance with ASTM D2855. Solvent cements for thermoplastics shall conform to the following specifications:

| Material | ASTM Specification |
|----------|--------------------|
| PVC      | D2564              |
| CPVC     | D2846              |
| ABS      | D2235              |

Application of cement to both surfaces and assembly of the surfaces shall produce a continuous bond and a small fillet of cement at the outside of the joint. For branch connections not using a tee, a full reinforcement saddle with integral branch socket shall be cemented to the main pipe over its entire contact surface. In addition, the saddle shall be further secured to the main pipe by wrapping glass fiber tape saturated with epoxy resin around the saddle and the circumference of the pipe. Solvent cement shall be handled as recommended in ASTM F402.

#### 934.1.3 Heat-Fusion Joints

(a) *Preparation.* Surfaces to be heat fused together shall be cleaned free of foreign material and surface film. Cuts shall be free from burrs, and circumferential cuts shall be as square as those obtained by use of a saw with miter box. Fixtures shall be used to align pipe and fitting when the joint is made.

(b) *Technique.* Heat-fusion joints for polyethylene, polypropylene, and other thermoplastics commonly joined by heat fusion shall be made in accordance with procedures in ASTM D2657 and as recommended by the manufacturer. Uniform heating of both surfaces

and their assembly shall produce a continuous homogeneous bond between them and a small fillet of fused material at the outside of the joint. Branches shall be made only by use of molded fittings.

#### 934.1.4 Flared Joints and Elastomeric-Sealed Joints

(a) *Flared Joints.* Flared joints shall be made in accordance with ASTM D3140.

(b) *Elastomeric-Sealed Joints.* Elastomeric-sealed joints shall be made in accordance with ASTM D3139.

### 934.2 Reinforced Thermosetting Resin Piping Joints

**934.2.1 Materials.** The provisions of [para. 934.1.1](#) shall also apply to RTR pipe.

**934.2.2 Preparation.** Cutting of pipe shall be done without chipping or cracking it, particularly the inner surface of centrifugally cast pipe. Pipe shall be preheated if necessary to comply with this requirement. Cuts shall be free from burrs, and circumferential cuts shall be as square as those obtained by use of a saw with miter box. For branch connections, holes in the main pipe shall be made with a hole saw. Mold release agent and other material that would interfere with adhesion shall be sanded or otherwise removed from surfaces to be cemented.

**934.2.3 Chemical Setting Adhesive Joints.** Chemical setting adhesive joints shall be made in accordance with the manufacturer's recommendations. Application of adhesive to the surfaces and their assembly shall produce a continuous bond between them.

For branch connections, a full reinforcement saddle having an integral short length of branch pipe shall be used. The branch shall project enough to complete a nozzle or to join to the branch pipe. The cut edges of the hole in the main pipe shall be sealed with cement at the time the saddle is cemented to the main pipe.

**934.2.4 Hand Lay-Up Joints.** Application of plies of reinforcement saturated with catalyzed resin to the surfaces to be joined shall produce a continuous structure with them. Cuts shall be sealed to protect the reinforcement from the contents of the pipe. Thickness of the laid-up portion shall be at least equal to the pipe thickness.

### 934.3 Repair of Defective Work

Defective material, joints, and other workmanship in nonmetallic piping that fails to meet the requirements of [para. 936](#) and of the engineering design shall be repaired by an acceptable method or shall be replaced. Repair of defects in plastic piping by use of a patching saddle is an acceptable method.



## 935 ASSEMBLY

### 935.1 General

The assembly of piping components, either in a shop or as field erection, shall be done so that the completely erected piping conforms to the requirements of this Code and of the engineering design. For assembly of metallic flange joints with ring-type gaskets, it is recommended that ASME PCC-1 be followed, particularly for pipe NPS 12 and larger.

### 935.2 Bolting Procedure

**935.2.1 Alignment.** Flanged joints shall be fitted up so that the gasket contact faces, prior to bolting, bear uniformly on the gasket, and then shall be made up with relatively uniform bolt stress.

**935.2.2 Gasket Loading.** In bolting gasketed flanged joints, the gasket shall be uniformly compressed in accordance with the design principles applicable to the type of gasket used.

**935.2.3 Steel-to-Iron Flanged Joints.** When bolting raised-face steel flanges to flat-face cast iron flanges, care shall be used to prevent damage to the cast iron flanges.

**935.2.4 Bolt Engagement.** All bolts and nuts shall be fully engaged.

### 935.3 Bell and Spigot Joints

**935.3.1 Caulked Joints.** Caulked bell and spigot joints shall be assembled using oakum and poured lead or other joint compounds suitable for the service. Assembly of cast iron bell and spigot pressure piping shall meet the requirements of ANSI/AWWA C600.

**935.3.2 Elastomeric Joints.** Bell and spigot joints using elastomeric gaskets shall be assembled in accordance with the manufacturer's recommendations.

### 935.4 Threaded Piping

**935.4.1 Threading.** Dimensions of threaded joints shall conform to the applicable standard listed in [Table 926.1](#). Threads shall be clean and free of breaks and tears.

**935.4.2 Joint Compound.** Any compound or lubricant used in threaded joints shall be suitable for the service conditions and shall not react unfavorably with either the service fluid or the piping materials.

**935.4.3 Seal-Welded Joints.** Threaded joints that are to be seal welded shall be assembled without thread compound.

**935.4.4 Backing Off.** Backing off of threaded joints to facilitate alignment of the pipe is not permitted.

**935.4.5 Threaded Plastic Pipe.** Strap wrenches or other full circumference wrenches shall be used to tighten threaded joints. Tools and other devices used to hold or apply forces shall not leave the surface scored or deeply scratched. For RTR piping, threads shall be coated with sufficient catalyzed resin to cover the threads and completely fill the clearance between pipe and fitting.

### 935.5 Flare Joints

Ends of tubing shall be cut square and deburred. No scratches, breaks, cracks, or other mars at the sealing surface of the flare shall be permitted.

### 935.6 Ferrule Bite Joints

Ends of tubing shall be cut square and deburred. No scratches, breaks, or other mars on the outside surface of the tubing at the fitting shall be permitted. In tightening the nut, only sufficient torque shall be used to "bite" lightly and uniformly into the tube.

### 935.7 Compression Joints

Ends of tubing shall be cut square and deburred. No scratches, breaks, or mars are permitted on the outside of the tube at the fitting.

### 935.8 Other Mechanical and Proprietary Joints

Grooved, expanded, rolled, O-ring, clamp, gland, and other joints permitted by [para. 913](#) shall be assembled in accordance with the manufacturer's instructions.

### 935.9 Borosilicate Glass Piping

Glass-to-glass connections shall be made with clamp compression-type couplings. Closure pieces should preferably be furnished to exact dimension. If necessary, pipe may be field cut and beaded according to the manufacturer's instructions. Beaded-to-plain-end connections may be made with couplings specially designed for this purpose. Alignment and support for all glass piping shall be verified and adjusted in accordance with manufacturer's instructions before joints are tightened.

### 935.10 Equipment Connections

When connections are made to equipment or strain-sensitive piping components, care should be taken to avoid misalignment, which can introduce undesirable end reactions.

### 935.11 Cold Spring

Before assembling joints to be cold sprung, supports, guides, and anchors shall be examined to verify that they will not interfere with desired movement or cause undesired movements. The gap or overlap prior

to final assembly shall be checked and corrected if necessary to conform to that shown on the drawing.

### **935.12 Valve Installation**

Installation of valves with the stem below the horizontal axis is not recommended.

### **935.13 Repair of Defective Work**

Joints that leak during test shall be tightened within limits of procedures or manufacturer's instructions. Do not attempt to tighten leaking joints with pneumatic test pressure on the system. Joints that cannot be safely tightened shall be replaced. Assemblies rejected during examination shall be repaired and reassembled or replaced. Replace any glass piping component that is chipped or scratched.

ASMENORMDOC.COM : Click to view the full PDF of ASME B31.9 2020

# Chapter VI

## Inspection, Examination, and Testing

### 936 INSPECTION AND EXAMINATION

#### 936.1 General

Inspection applies to quality assurance functions performed by the owner, or for the owner by persons other than the manufacturer, fabricator, or erector. Examination applies to quality control functions performed by personnel employed by the manufacturer, fabricator, or erector of the piping.

**936.1.1 Quality System Program.** A quality system program is not required by this Code. If a system is required by the engineering design, the program in [Nonmandatory Appendix A](#) or a similar program acceptable to the owner may be used.

#### 936.2 Required Inspection

Prior to initial operation, it is the owner's responsibility to verify that all required examination and testing have been completed and to inspect the piping, or have it inspected, to the extent necessary to satisfy the owner that it conforms to all applicable requirements of this Code and the engineering design.

**936.2.1 Access to the Work.** The owner and the owner's representatives shall have access to any place where work concerned with the piping is being performed. This includes manufacture, fabrication, assembly, erection, examination, and testing of the piping.

**936.2.2 Rights of Owner.** The owner and the owner's representatives shall have the right to audit any examinations, to inspect the piping using examination methods specified in the engineering design, and to review all certifications and records.

#### 936.3 Responsibility for Examination

Inspection does not relieve the manufacturer, fabricator, or erector of responsibility for performing all required examinations and preparing suitable records for the owner's use.

#### 936.4 Methods of Examination

The methods described herein shall be performed by competent personnel.

**936.4.1 Visual Examination.** Visual examination is observation of the portions of materials, components, joints, supports, and other piping elements that are or can be exposed to view before, during, or after manufacture, fabrication, assembly, or erection. This examination includes verification of Code and engineering design requirements for materials and components, dimensions, joint preparation, alignment, joining practices, supports, assembly, and erection.

#### 936.5 Type and Extent of Required Examination

Unless otherwise specified in the engineering design, the type of examination shall be visual examination in accordance with the method in [para. 936.4.1](#).

If the degree of examination and inspection or the basis for rejection is to be more rigorous than required by this Code, it shall be a matter of prior agreement between the fabricator or installer and the purchaser.

#### 936.6 Acceptance Criteria

Imperfections or indications revealed by examination shall be evaluated in accordance with the criteria in [paras. 936.6.1](#) through [936.6.10](#). They are acceptable unless they exceed the specified limitations. Those that exceed the stated limits are defects, and the work shall be repaired or replaced in accordance with the appropriate requirements in [Chapter V](#).

**936.6.1 Girth Welds and Groove Welds.** Limitations on imperfections are as follows:

(a) *Cracks.* None permitted.

(b) *Lack of Fusion.* The length of unfused areas shall not be more than 20% of the circumference of the pipe, or of the total length of the weld, and not more than 25% in any 6 in. (152 mm) of weld.

(c) *Incomplete Penetration.* The total joint penetration shall not be less than the thickness of the thinner of the components being joined, except that incomplete root penetration is acceptable if it does not exceed the lesser of  $\frac{1}{32}$  in. (1 mm) or 20% of the required thickness, and its extent is not more than 25% in any 6 in. (152 mm) of weld.

(d) *Undercut and Reinforcement.* Undercut shall not exceed the lesser of  $\frac{1}{32}$  in. (1 mm) or  $12\frac{1}{2}\%$  of wall thickness. Thickness of weld reinforcement shall not exceed  $\frac{3}{16}$  in. (4.8 mm).

(e) *Concave Root.* Concavity of the root surface shall not reduce the total thickness of the joint, including reinforcement, to less than the thickness of the thinner of the components being joined.

(f) *Excess Root Penetration.* The excess shall not exceed the lesser of  $\frac{1}{8}$  in. (3.2 mm) or 5% of the inside diameter of the pipe.

(g) *Weld Surfaces.* There shall be no overlaps or abrupt ridges and valleys.

**936.6.2 Fillet Welds.** Limitations on imperfections in fillet, socket, and seal welds are the same as in para. 936.6.1 for cracks, lack of fusion, undercut, and weld surfaces.

**936.6.3 Brazed and Soldered Joints.** Limitations on imperfections in brazed and soldered joints are as follows:

(a) Penetration of filler metal inside the pipe shall not exceed 100% of the wall thickness.

(b) There shall be no visible unfilled joint space.

(c) There shall be no visible evidence of excessive overheating.

**936.6.4 Threaded Joints.** Limitations on imperfections for ASME B1.20.1 threaded pipe joints are as follows:

(a) No more than six and no fewer than two threads shall be visible after makeup of the joint.

(b) There shall be no severe chipping or tearing of visible threads.

**936.6.5 Caulked and Leaded Joints.** Limitations on imperfections in caulked and leaded joints are as follows:

(a) The finished joint shall be within  $\frac{1}{4}$  in. (6.4 mm) of the rim of the bell.

(b) In the finished joint, the spigot shall be centered in the bell within  $\frac{1}{8}$  in. (3.2 mm).

(c) The joint shall be made in a continuous pour.

**936.6.6 Flanged Joints.** Flanged joints shall meet the following:

(a) The flange faces shall be parallel within 1 deg, and the force required to align pipe axes shall not exceed 10 lbf (44.5 N) multiplied by the nominal pipe size (NPS). A larger force may be used when approved by the engineer.

(b) Nuts and bolts shall be fully engaged. Nuts are considered fully engaged when the bolt is flush with the nut surface.

**936.6.7 Flared, Flareless, and Compression Joints.** Limitations on imperfections in flared, flareless, and compression joints are as follows:

(a) There shall be no cracks in flare or tube end.

(b) Tube ends shall be cut square (visual).

(c) Tube ends shall be free of distortion or grooves that would hinder assembly or sealing.

(d) Negligible force shall be required to align ends.

**936.6.8 Mechanical and Proprietary Joints.** Imperfections in mechanical and proprietary joints shall be within the limitations established by the manufacturer.

**936.6.9 Solvent-Cemented, Adhesive, and Heat-Fusion Joints.** Limitations on imperfections in solvent-cemented, adhesive, and heat-fusion joints are as follows:

(a) Internal protrusion shall not exceed 50% of wall thickness for solvent-cemented and 25% for adhesive and heat-fusion joints.

(b) There shall be no visible unfilled or unbonded areas.

**936.6.10 Hand Lay-Up Joints.** Limitations on imperfections in hand lay-up joints are as follows:

(a) There shall be no visible evidence of lack of bonding.

(b) The length of the laid-up joint shall be at least the lesser of 4 in. (102 mm) or the nominal diameter of the pipe.

(c) The thickness of the laid-up joint shall be at least equal to the wall thickness of the thinner pipe.

## 937 LEAK TESTING

### 937.1 General

Prior to initial operation, each piping system shall be tested for leakage. Hydrostatic testing in accordance with para. 937.3 shall be employed if possible. Pneumatic testing may be used in lieu of hydrostatic testing only in accordance with the limitations in para. 937.4. Initial service testing may be used within the limitations of para. 937.5.

### 937.2 Preparation for Testing

**937.2.1 Exposure of Joints.** All joints including welds shall be left uninsulated and exposed for examination during the test.

**937.2.2 Temporary Supports.** Piping designed for vapor or gas may be provided with temporary supports if necessary to support the weight of test liquid.

**937.2.3 Expansion Joints.** Expansion joints that cannot sustain the reactions due to test pressure shall be provided with temporary restraint, or they may be isolated from testing.

**937.2.4 Equipment Not Subject to Testing.** Equipment that is not to be subjected to the test pressure shall be isolated from the piping. If a valve is used to isolate the equipment, its closure shall be capable of sealing against the test pressure without damage to the valve. Flanged joints at which blinds are inserted to isolate equipment need not be tested.

**937.2.5 Precautions Against Overpressure.** If the test pressure is to be maintained for a period of time during which the test fluid is subject to thermal expansion or any other source of overpressurizing during the test, precautions such as the installation of a relief device shall be taken to avoid excessive pressure.

### 937.3 Hydrostatic Testing

**937.3.1 Test Medium.** Water at ambient temperature shall be used as the test medium except where there is risk of damage due to freezing. Another liquid may be used if it is safe for workmen and compatible with the piping.

**937.3.2 Vents and Drains.** Vents shall be provided at high points in the system to release trapped air while filling the system. Drains shall be provided at low points for complete removal of the test liquid.

**937.3.3 Preliminary Check.** The system shall be examined to see that all equipment and parts that cannot withstand the test pressure are properly isolated. Test equipment shall be examined to ensure that it is tight and that low-pressure filling lines are disconnected.

#### 937.3.4 Hydrostatic Test Pressure

(a) *Minimum Pressure.* Except as limited in (b), a piping system shall be subjected to a hydrostatic test pressure that at every point in the system is not less than 1.5 times the design pressure.

(b) *Maximum Pressure.* The test pressure shall not exceed the maximum test pressure for any vessel, pump, valve, or other component in the system under test. A check shall be made to verify that the stress due to pressure at the bottom of vertical runs does not exceed either of the following:

- (1) 90% of specified minimum yield strength
- (2) 1.7 times the *SE* value in [Mandatory Appendix I](#)

(for brittle materials)

**937.3.5 Examination for Leakage.** Following the application of hydrostatic test pressure for at least 10 min, examination shall be made for leakage of the piping and at all joints and connections. If leaks are found, they shall be eliminated by tightening, repair, or replacement, as appropriate, and the hydrostatic test repeated until no leakage is found.

### 937.4 Pneumatic Testing

**937.4.1 General.** Compressed gas poses the risk of sudden release of stored energy. For that reason, pneumatic testing shall be used only within the following limitations:

(a) The piping system does not contain cast iron pipe or plastic pipe subject to brittle failure.

(b) The system does not contain soldered or solvent cement joints over NPS 2 (DN 50).

(c) The test pressure does not exceed 150 psig (1034 kPa gage).

(d) The system will be used in gas service, or for other reasons cannot be filled with water.

(e) Traces of a test liquid would be detrimental to the intended use of the piping.

**937.4.2 Test Medium.** The gas shall be nonflammable and nontoxic.

**937.4.3 Preliminary Test.** Prior to application of full pneumatic test pressure, a preliminary test of not more than 10 psig (69 kPa gage) shall be applied to reveal possible major leaks. (This preliminary test is not subject to the limitations in [para. 937.4.1](#) and may be used in conjunction with hydrostatic testing or initial service testing.)

#### 937.4.4 Pneumatic Test Pressure

(a) Except as limited in (b), the test pressure shall not exceed 1.25 times the design pressure. Pressure shall be applied in several stages, allowing time for the system to reach equilibrium at each stage.

(b) The test pressure shall not exceed the maximum allowable pneumatic test pressure for any vessel, pump, valve, or other component in the system under test.

**937.4.5 Examination for Leakage.** After the preliminary test, pressure shall be raised in stages of not more than 25% up to full pneumatic test pressure, allowing time for equalization of strains and detection of major leaks at each stage. Following the application of test pressure for at least 10 min, the pressure may be reduced to design pressure and examination shall be made for leakage of the piping. Leaks may be detected by soap bubble, halogen gas, scented gas, test gage monitoring, ultrasonic, or other suitable means. If leaks are found, pressure shall be vented, appropriate repair or replacement shall be made, and the pneumatic test repeated until no leakage is found.

### 937.5 Initial Service Leak Test

**937.5.1 General.** For gases and steam and condensate service not over 15 psig (103 kPa gage), and for nontoxic, noncombustible, nonflammable liquids at pressures not over 100 psig (689 kPa gage) and temperatures not over 200°F (93°C), it is permissible to conduct the system testing with the service fluid as outlined in [para. 937.5.2](#).

**937.5.2 Service Testing.** A preliminary test with air at low pressure ([para. 937.4.3](#)) may be used. In any event, the piping system shall be brought up to operating pressure gradually with visual examination at a pressure between one-half and two-thirds of operating pressure. A final examination shall be made at operating pressure. If the piping system is free of leaks, it will have met the requirements of this paragraph.

## MANDATORY APPENDIX I STRESS TABLES

Tables I-1 through I-4 begin on the following page.

ASMENORMDOC.COM : Click to view the full PDF of ASME B31.9 2020

Table I-1 Allowable Stresses

| Material   | Spec. No. | Type or Grade | Class  | P-No. | Notes   | Factor E or F | Strengths         |                 | Max. Allowable Stress Value in Tension, SE, ksi, for Metal Temperature, °F, Not Exceeding |      |      |      |      |      |      |      |      |      |  |
|--|-----------|---------------|--------|-------|---------|---------------|-------------------|-----------------|---|------|------|------|------|------|------|------|------|------|--|
|  |           |               |        |       |         |               | Min. Tensile, ksi | Min. Yield, ksi | 0 to 100  | 150  | 200  | 250  | 300  | 350  | 400  |      |      |      |  |
| <b>Carbon Steel — Seamless Pipe and Tube</b>                   |           |               |        |       |         |               |                   |                 |   |      |      |      |      |      |      |      |      |      |  |
| ...  | ASTM A53  | A             | S      | 1     | ...     | 1.00          | 48.0              | 30.0            | 13.7  | 13.7 | 13.7 | 13.7 | 13.7 | 13.7 | 13.7 | 13.7 | 13.7 | 13.7 |  |
| ...  | ASTM A53  | B             | S      | 1     | ...     | 1.00          | 60.0              | 35.0            | 17.1  | 17.1 | 17.1 | 17.1 | 17.1 | 17.1 | 17.1 | 17.1 | 17.1 | 17.1 |  |
| ...  | ASTM A106 | A             | ...    | 1     | ...     | 1.00          | 48.0              | 30.0            | 13.7  | 13.7 | 13.7 | 13.7 | 13.7 | 13.7 | 13.7 | 13.7 | 13.7 | 13.7 |  |
| ...  | ASTM A106 | B             | ...    | 1     | ...     | 1.00          | 60.0              | 35.0            | 17.1  | 17.1 | 17.1 | 17.1 | 17.1 | 17.1 | 17.1 | 17.1 | 17.1 | 17.1 |  |
| ...  | API 5L    | A             | ...    | 1     | (1)     | 1.00          | 48.0              | 30.0            | 13.7  | 13.7 | 13.7 | 13.7 | 13.7 | 13.7 | 13.7 | 13.7 | 13.7 | 13.7 |  |
| ...  | API 5L    | B             | ...    | 1     | (1)     | 1.00          | 60.0              | 35.0            | 17.1  | 17.1 | 17.1 | 17.1 | 17.1 | 17.1 | 17.1 | 17.1 | 17.1 | 17.1 |  |
| ...  | API 5L    | X42           | ...    | 1     | (1) (2) | 1.00          | 60.2              | 42.1            | 17.2  | 17.2 | 17.2 | 17.2 | 17.2 | 17.2 | 17.2 | 17.2 | 17.2 | 17.2 |  |
| ...  | API 5L    | X46           | ...    | 1     | (1) (2) | 1.00          | 63.1              | 46.4            | 18.0  | 18.0 | 18.0 | 18.0 | 18.0 | 18.0 | 18.0 | 18.0 | 18.0 | 18.0 |  |
| ...  | API 5L    | X52           | ...    | 1     | (1) (2) | 1.00          | 66.7              | 52.2            | 19.1  | 19.1 | 19.1 | 19.1 | 19.1 | 19.1 | 19.1 | 19.1 | 19.1 | 19.1 |  |
| <b>Carbon Steel — Butt-Welded Pipe and Tube</b>                |           |               |        |       |         |               |                   |                 |   |      |      |      |      |      |      |      |      |      |  |
| ...  | ASTM A53  | ...           | F      | 1     | (3)     | 0.60          | 48.0              | 30.0            | 8.2   | 8.2  | 8.2  | 8.2  | 8.2  | 8.2  | 8.2  | 8.2  | 8.2  | 8.2  |  |
| ...  | API 5L    | A25           | ...    | 1     | (1)     | 0.60          | 45.0              | 25.0            | 7.7   | 7.7  | 7.7  | 7.7  | 7.7  | 7.7  | 7.7  | 7.7  | 7.7  | 7.7  |  |
| <b>Carbon Steel — Electric Resistance Welded Pipe and Tube</b> |           |               |        |       |         |               |                   |                 |   |      |      |      |      |      |      |      |      |      |  |
| ...  | ASTM A53  | A             | E      | 1     | ...     | 0.85          | 48.0              | 30.0            | 11.7  | 11.7 | 11.7 | 11.7 | 11.7 | 11.7 | 11.7 | 11.7 | 11.7 | 11.7 |  |
| ...  | ASTM A53  | B             | E      | 1     | ...     | 0.85          | 60.0              | 35.0            | 14.6  | 14.6 | 14.6 | 14.6 | 14.6 | 14.6 | 14.6 | 14.6 | 14.6 | 14.6 |  |
| ...  | ASTM A135 | A             | ...    | 1     | ...     | 0.85          | 48.0              | 30.0            | 11.7  | 11.7 | 11.7 | 11.7 | 11.7 | 11.7 | 11.7 | 11.7 | 11.7 | 11.7 |  |
| ...  | ASTM A135 | B             | ...    | 1     | ...     | 0.85          | 60.0              | 35.0            | 14.6  | 14.6 | 14.6 | 14.6 | 14.6 | 14.6 | 14.6 | 14.6 | 14.6 | 14.6 |  |
| ...  | API 5L    | A25           | ...    | 1     | (1)     | 0.85          | 45.0              | 25.0            | 10.9  | 10.9 | 10.9 | 10.9 | 10.9 | 10.9 | 10.9 | 10.9 | 10.9 | 10.9 |  |
| ...  | API 5L    | A             | ...    | 1     | (1)     | 0.85          | 48.0              | 30.0            | 11.7  | 11.7 | 11.7 | 11.7 | 11.7 | 11.7 | 11.7 | 11.7 | 11.7 | 11.7 |  |
| ...  | API 5L    | B             | ...    | 1     | (1)     | 0.85          | 60.0              | 35.0            | 14.6  | 14.6 | 14.6 | 14.6 | 14.6 | 14.6 | 14.6 | 14.6 | 14.6 | 14.6 |  |
| ...  | API 5L    | X42           | ...    | 1     | (1) (2) | 1.00          | 60.2              | 42.1            | 17.2  | 17.2 | 17.2 | 17.2 | 17.2 | 17.2 | 17.2 | 17.2 | 17.2 | 17.2 |  |
| ...  | API 5L    | X46           | ...    | 1     | (1) (2) | 1.00          | 63.1              | 46.4            | 18.0  | 18.0 | 18.0 | 18.0 | 18.0 | 18.0 | 18.0 | 18.0 | 18.0 | 18.0 |  |
| ...  | API 5L    | X52           | ...    | 1     | (1) (2) | 1.00          | 66.7              | 52.2            | 19.1  | 19.1 | 19.1 | 19.1 | 19.1 | 19.1 | 19.1 | 19.1 | 19.1 | 19.1 |  |
| <b>Carbon Steel — Spiral-Welded Pipe and Tube</b>              |           |               |        |       |         |               |                   |                 |   |      |      |      |      |      |      |      |      |      |  |
| ...  | API 5L    | A25           | I & II | 1     | (1)     | 0.85          | 45.0              | 25.0            | 10.9  | 10.9 | 10.9 | 10.9 | 10.9 | 10.9 | 10.9 | 10.9 | 10.9 | 10.9 |  |
| ...  | API 5L    | A             | ...    | 1     | (1)     | 0.85          | 48.0              | 30.0            | 11.7  | 11.7 | 11.7 | 11.7 | 11.7 | 11.7 | 11.7 | 11.7 | 11.7 | 11.7 |  |
| ...  | API 5L    | B             | ...    | 1     | (1)     | 0.85          | 60.0              | 35.0            | 14.6  | 14.6 | 14.6 | 14.6 | 14.6 | 14.6 | 14.6 | 14.6 | 14.6 | 14.6 |  |
| ...  | API 5L    | X42           | ...    | 1     | (1) (2) | 1.00          | 60.2              | 42.1            | 17.2  | 17.2 | 17.2 | 17.2 | 17.2 | 17.2 | 17.2 | 17.2 | 17.2 | 17.2 |  |
| ...  | API 5L    | X46           | ...    | 1     | (1) (2) | 1.00          | 63.1              | 46.4            | 18.0  | 18.0 | 18.0 | 18.0 | 18.0 | 18.0 | 18.0 | 18.0 | 18.0 | 18.0 |  |



Table I-1 Allowable Stresses (Cont'd)

| Material   | Spec. No. | Type of Grade | Class | P-No. | Notes   | Factor E or F | Strengths         |                 | Max. Allowable Stress Value in Tension, SE, ksi, for Metal Temperature, °F, Not Exceeding |      |      |      |      |      |      |      |      |      |      |     |  |  |  |  |
|--|-----------|---------------|-------|-------|---------|---------------|-------------------|-----------------|---|------|------|------|------|------|------|------|------|------|------|-----|--|--|--|--|
|  |           |               |       |       |         |               | Min. Tensile, ksi | Min. Yield, ksi | 0   | 100  | 150  | 200  | 250  | 300  | 350  | 400  |      |      |      |     |  |  |  |  |
| <b>Carbon Steel — Spiral-Welded Pipe and Tube (Cont'd)</b> |           |               |       |       |         |               |                   |                 |   |      |      |      |      |      |      |      |      |      |      |     |  |  |  |  |
| ...  | API 5L    | X52           | ...   | 1     | (1) (2) | 1.00          | 66.7              | 52.2            | 19.1  | 19.1 | 19.1 | 19.1 | 19.1 | 19.1 | 19.1 | 19.1 | 19.1 | 19.1 | 19.1 |     |  |  |  |  |
| <b>Carbon Steel — Forgings and Fittings</b>                |           |               |       |       |         |               |                   |                 |   |      |      |      |      |      |      |      |      |      |      |     |  |  |  |  |
| ...  | ASTM A105 | ...           | ...   | 1     | ...     | ...           | 70.0              | 36.0            | 20.0  | 20.0 | 20.0 | 20.0 | 20.0 | 20.0 | 20.0 | 20.0 | 20.0 | 20.0 | 20.0 |     |  |  |  |  |
| ...  | ASTM A181 | 60            | ...   | 1     | ...     | ...           | 60.0              | 30.0            | 17.1  | 17.1 | 17.1 | 17.1 | 17.1 | 17.1 | 17.1 | 17.1 | 17.1 | 17.1 | 17.1 |     |  |  |  |  |
| ...  | ASTM A181 | 70            | ...   | 1     | ...     | ...           | 70.0              | 36.0            | 20.0  | 20.0 | 20.0 | 20.0 | 20.0 | 20.0 | 20.0 | 20.0 | 20.0 | 20.0 | 20.0 |     |  |  |  |  |
| ...  | ASTM A234 | WPB           | ...   | 1     | ...     | 1.00          | 60.0              | 35.0            | 17.1  | 17.1 | 17.1 | 17.1 | 17.1 | 17.1 | 17.1 | 17.1 | 17.1 | 17.1 | 17.1 |     |  |  |  |  |
| ...  | ASTM A234 | WPC           | ...   | 1     | ...     | 1.00          | 70.0              | 40.0            | 20.0  | 20.0 | 20.0 | 20.0 | 20.0 | 20.0 | 20.0 | 20.0 | 20.0 | 20.0 | 20.0 |     |  |  |  |  |
| <b>Carbon Steel — Structural [Note (4)]</b>                |           |               |       |       |         |               |                   |                 |   |      |      |      |      |      |      |      |      |      |      |     |  |  |  |  |
| ...  | ASTM A36  | ...           | ...   | 1     | (1) (5) | ...           | 58.0              | 36.0            | 15.2  | 15.2 | 15.2 | 15.2 | 15.2 | 15.2 | 15.2 | 15.2 | 15.2 | 15.2 | 15.2 |     |  |  |  |  |
| ...  | ASTM A992 | ...           | ...   | 1     | (1) (5) | ...           | 65.0              | 50.0            | 17.1  | 17.1 | 17.1 | 17.1 | 17.1 | 17.1 | 17.1 | 17.1 | 17.1 | 17.1 | 17.1 |     |  |  |  |  |
| <b>Carbon Steel — Bolts, Nuts, and Studs</b>               |           |               |       |       |         |               |                   |                 |   |      |      |      |      |      |      |      |      |      |      |     |  |  |  |  |
| ...  | ASTM A307 | B             | ...   | ...   | ...     | ...           | 60.0              | ...             | 7.0   | 7.0  | 7.0  | 7.0  | 7.0  | 7.0  | 7.0  | 7.0  | 7.0  | 7.0  | 7.0  |     |  |  |  |  |
| <b>Carbon Steel — Ductile Iron Pipe</b>                    |           |               |       |       |         |               |                   |                 |   |      |      |      |      |      |      |      |      |      |      |     |  |  |  |  |
| ...  | ASTM A377 | ...           | ...   | ...   | (1) (6) | ...           | ...               | ...             | ...   | ...  | ...  | ...  | ...  | ...  | ...  | ...  | ...  | ...  | ...  | ... |  |  |  |  |
| <b>Carbon Steel — Fittings and Couplings</b>               |           |               |       |       |         |               |                   |                 |   |      |      |      |      |      |      |      |      |      |      |     |  |  |  |  |
| ...  | ASTM A395 | 60-40-18      | ...   | ...   | ...     | 0.80          | 60.0              | 40.0            | 9.6   | 9.6  | 9.6  | 9.6  | 9.6  | 9.6  | 9.6  | 9.6  | 9.6  | 9.6  | 9.6  |     |  |  |  |  |
| ...  | ASTM A395 | 65-45-12      | ...   | ...   | ...     | 0.80          | 65.0              | 45.0            | 10.4  | 10.4 | 10.4 | 10.4 | 10.4 | 10.4 | 10.4 | 10.4 | 10.4 | 10.4 | 10.4 |     |  |  |  |  |
| ...  | ASTM A536 | 60-42-10      | ...   | ...   | (1)     | 0.80          | 60.0              | 42.0            | 4.8   | 4.8  | 4.8  | 4.8  | 4.8  | 4.8  | 4.8  | 4.8  | 4.8  | 4.8  | 4.8  |     |  |  |  |  |
| ...  | ASTM A536 | 70-50-05      | ...   | ...   | (1)     | 0.80          | 70.0              | 50.0            | 5.6   | 5.6  | 5.6  | 5.6  | 5.6  | 5.6  | 5.6  | 5.6  | 5.6  | 5.6  | 5.6  |     |  |  |  |  |
| <b>Stainless Steel — Seamless Pipe and Tube</b>            |           |               |       |       |         |               |                   |                 |   |      |      |      |      |      |      |      |      |      |      |     |  |  |  |  |
| 18Cr-8Ni   | ASTM A312 | S30400        | ...   | 8     | ...     | 1.00          | 75.0              | 30.0            | 20.0  | 17.9 | 16.7 | 15.8 | 15.0 | 14.3 | 13.8 | 13.8 | 13.8 | 13.8 | 13.8 |     |  |  |  |  |
| 18Cr-8Ni   | ASTM A312 | S30400        | ...   | 8     | (7)     | 1.00          | 75.0              | 30.0            | 20.0  | 20.0 | 20.0 | 19.3 | 18.9 | 18.6 | 18.3 | 18.3 | 18.3 | 18.3 | 18.3 |     |  |  |  |  |
| 18Cr-8Ni   | ASTM A312 | S30403        | ...   | 8     | (1)     | 1.00          | 70.0              | 25.0            | 16.7  | 15.2 | 14.3 | 13.5 | 12.8 | 12.2 | 11.7 | 11.7 | 11.7 | 11.7 | 11.7 |     |  |  |  |  |
| 18Cr-8Ni   | ASTM A312 | S30403        | ...   | 8     | (1) (7) | 1.00          | 70.0              | 25.0            | 16.7  | 16.7 | 16.7 | 16.7 | 16.7 | 16.4 | 15.8 | 15.8 | 15.8 | 15.8 | 15.8 |     |  |  |  |  |
| 16Cr-12Ni-2Mo  | ASTM A312 | S31600        | ...   | 8     | ...     | 1.00          | 75.0              | 30.0            | 20.0  | 18.4 | 17.3 | 16.5 | 15.6 | 14.9 | 14.3 | 14.3 | 14.3 | 14.3 | 14.3 |     |  |  |  |  |
| 16Cr-12Ni-2Mo  | ASTM A312 | S31600        | ...   | 8     | (7)     | 1.00          | 75.0              | 30.0            | 20.0  | 20.0 | 20.0 | 20.0 | 20.0 | 20.0 | 20.0 | 20.0 | 20.0 | 20.0 | 20.0 |     |  |  |  |  |
| 16Cr-12Ni-2Mo  | ASTM A312 | S31603        | ...   | 8     | (1)     | 1.00          | 70.0              | 25.0            | 16.7  | 15.2 | 14.2 | 13.5 | 12.7 | 12.2 | 11.7 | 11.7 | 11.7 | 11.7 | 11.7 |     |  |  |  |  |

Table I-1 Allowable Stresses (Cont'd)

| Material   | Spec. No. | Type or Grade | Class                  | P-No. | Notes                 | Factor E or F | Strengths         |                 | Max. Allowable Stress Value in Tension, SE, ksi, for Metal Temperature, °F, Not Exceeding |  |      |      |      |      |      |      |
|--|-----------|---------------|------------------------|-------|-----------------------|---------------|-------------------|-----------------|---|--|------|------|------|------|------|------|
|  |           |               |                        |       |                       |               | Min. Tensile, ksi | Min. Yield, ksi | 0 to 100  | 150  | 200  | 250  | 300  | 350  | 400  |      |
| <b>Stainless Steel — Seamless Pipe and Tube (Cont'd)</b>                       |           |               |                        |       |                       |               |                   |                 |   |  |      |      |      |      |      |      |
| 16Cr-12Ni-2Mo  | ASTM A312 | S31603        | ...                    | 8     | (1) (7)               | 1.00          | 70.0              | 25.0            | 16.7  | 16.7   | 16.7 | 16.7 | 16.7 | 16.7 | 16.4 | 15.7 |
| 18Cr-13Ni-3Mo  | ASTM A312 | S31700        | ...                    | 8     | (1)                   | 1.00          | 75.0              | 30.0            | 20.0  | 18.4   | 17.3 | 16.5 | 15.6 | 14.9 | 14.3 |      |
| 18Cr-13Ni-3Mo  | ASTM A312 | S31700        | ...                    | 8     | (1) (7)               | 1.00          | 75.0              | 30.0            | 20.0  | 20.0   | 20.0 | 20.0 | 20.0 | 20.0 | 20.0 | 19.3 |
| <b>Material and Spec. No.</b>  |           |               |                        |       |                       |               |                   |                 |   | <b>Strengths</b>   |      |      |      |      |      |      |
| <b>Aluminum and Aluminum Alloys — Drawn Seamless Pipe and Tubes</b>            |           |               |                        |       |                       |               |                   |                 |   | <b>Max. Allowable Stress Value in Tension, SE, ksi, for Metal Temperature, °F, Not Exceeding</b> |      |      |      |      |      |      |
| Spec. No.  | Alloy     | Temper        | Size or Thickness, in. | P-No. | Notes                 |               | Min. Tensile, ksi | Min. Yield, ksi | 0 to 100  | 150  | 200  | 250  | 300  | 350  | 400  |      |
| ASTM B210  | 3003      | O             | 0.010-0.500            | 21    | (1)                   |               | 14.0              | 5.0             | 3.4   | 3.4  | 3.4  | 3.0  | 2.4  | 1.8  | 1.4  |      |
| ASTM B210  | 3003      | H14           | 0.010-0.500            | 21    | (1) (8)               |               | 20.0              | 17.0            | 5.7   | 5.7  | 4.9  | 4.3  | 3.0  | 2.3  |      |      |
| ASTM B210  | 5050      | O             | 0.018-0.500            | 21    | (1)                   |               | 18.0              | 6.0             | 4.0   | 4.0  | 4.0  | 4.0  | 2.8  | 1.4  |      |      |
| ASTM B210  | 6061      | T4            | 0.025-0.500            | 21    | (1) (9)               |               | 30.0              | 16.0            | 8.6   | 8.6  | 7.4  | 6.9  | 6.3  | 4.5  |      |      |
| ASTM B210  | 6061      | T6            | 0.025-0.500            | 21    | (1) (9)               |               | 42.0              | 35.0            | 12.0  | 12.0   | 9.9  | 8.4  | 6.3  | 4.5  |      |      |
| ASTM B210  | 6061      | T4, T6        | 0.025-0.500            | 21    | Welded; (1) (10)      |               | 24.0              | 10.0            | 6.9   | 6.9  | 6.7  | 6.3  | 4.6  | 3.5  |      |      |
| <b>Aluminum and Aluminum Alloys — Seamless Pipe and Seamless Extruded Tube</b> |           |               |                        |       |                       |               |                   |                 |   |  |      |      |      |      |      |      |
| ASTM B241  | 3003      | O             | All                    | 21    | (1)                   |               | 14.0              | 5.0             | 3.4   | 3.4  | 3.4  | 3.0  | 2.4  | 1.8  | 1.4  |      |
| ASTM B241  | 3003      | H18           | <1                     | 21    | (1) (8)               |               | 27.0              | 24.0            | 7.8   | 7.8  | 7.7  | 6.3  | 5.4  | 3.5  | 2.5  |      |
| ASTM B241  | 3003      | H112          | All                    | 21    | (1) (8)               |               | 14.0              | 5.0             | 3.3   | 3.3  | 3.3  | 3.0  | 2.4  | 1.8  | 1.4  |      |
| ASTM B241  | 5083      | O             | All                    | 25    | (1) (11)              |               | 39.0              | 16.0            | 10.7  | 10.7   | ...  | ...  | ...  | ...  | ...  |      |
| ASTM B241  | 5083      | H112          | All                    | 25    | (1) (11)              |               | 39.0              | 16.0            | 10.7  | 10.7   | ...  | ...  | ...  | ...  | ...  |      |
| ASTM B241  | 6061      | T4            | All                    | 23    | (1) (9) (12)          |               | 26.0              | 16.0            | 7.4   | 7.4  | 7.4  | 6.4  | 6.0  | 5.8  | 4.5  |      |
| ASTM B241  | 6061      | T6            | All                    | 23    | (1) (9) (12)          |               | 38.0              | 35.0            | 10.9  | 10.9   | 10.9 | 9.1  | 7.9  | 6.3  | 4.5  |      |
| ASTM B241  | 6061      | T4, T6        | All                    | 23    | Welded; (1) (10) (12) |               | 24.0              | 10.0            | 6.9   | 6.9  | 6.9  | 6.7  | 6.3  | 4.6  | 3.5  |      |
| ASTM B241  | 6063      | T6            | All                    | 23    | (1) (9)               |               | 30.0              | 25.0            | 8.6   | 8.6  | 8.6  | 8.6  | 6.6  | 3.4  | 2.0  |      |
| ASTM B241  | 6063      | T5, T6        | All                    | 23    | Welded; (1) (10)      |               | 17.0              | 10.0            | 4.3   | 4.3  | 4.3  | 4.2  | 3.9  | 3.0  | 2.0  |      |

Table I-1 Allowable Stresses (Cont'd)

| Material   | Spec. No. | Alloy No. | Condition   | P-No. | Notes    | Strengths         |                 | Max. Allowable Stress Value in Tension, SE, ksi, for Metal Temperature, °F, Not Exceeding |      |      |      |      |      |     |
|--|-----------|-----------|-------------|-------|----------|-------------------|-----------------|---|------|------|------|------|------|-----|
|  |           |           |             |       |          | Min. Tensile, ksi | Min. Yield, ksi | 0 to 100  | 150  | 200  | 250  | 300  | 350  | 400 |
| <b>Copper and Copper Alloys — Seamless Pipe and Tube</b> |           |           |             |       |          |                   |                 |   |      |      |      |      |      |     |
| Copper pipe, size range NPS 1/8-2 incl.                  | ASTM B42  | 102, 122  | Annealed    | 31    | ...      | 30.0              | 9.0             | 6.0   | 5.1  | 4.9  | 4.8  | 4.7  | 4.0  | 3.0 |
| Copper pipe, size range NPS 1/8-2 incl.                  | ASTM B42  | 102, 122  | Hard drawn  | 31    | (13)     | 45.0              | 40.0            | 12.9  | 12.9 | 12.9 | 12.9 | 12.5 | 11.8 | 4.3 |
| Copper pipe, size range NPS 2 1/2-12 incl.               | ASTM B42  | 102, 122  | Light drawn | 31    | (13)     | 36.0              | 30.0            | 10.3  | 10.3 | 10.3 | 13.3 | 10.0 | 9.7  | 9.4 |
| Red brass pipe   | ASTM B43  | 230       | Annealed    | 32    | ...      | 40.0              | 12.0            | 8.0   | 8.0  | 8.0  | 8.0  | 8.0  | 7.0  | 5.0 |
| Copper tube  | ASTM B68  | 102, 122  | Annealed    | 31    | (1)      | 30.0              | 9.0             | 6.0   | 5.1  | 4.9  | 4.8  | 4.7  | 4.0  | 3.0 |
| Copper tube  | ASTM B75  | 102, 122  | Annealed    | 31    | ...      | 30.0              | 9.0             | 6.0   | 5.1  | 4.9  | 4.8  | 4.7  | 4.0  | 3.0 |
| Copper tube  | ASTM B75  | 102, 122  | Light drawn | 31    | (13)     | 36.0              | 30.0            | 10.3  | 10.3 | 10.3 | 10.3 | 10.0 | 9.7  | 9.4 |
| Copper tube  | ASTM B75  | 102, 122  | Hard drawn  | 31    | (13)     | 45.0              | 40.0            | 11.3  | 11.3 | 11.3 | 11.3 | 11.0 | 10.3 | 4.3 |
| Copper tube  | ASTM B88  | 102, 122  | Annealed    | 31    | (1)      | 30.0              | 9.0             | 6.0   | 5.1  | 4.9  | 4.8  | 4.7  | 4.0  | 3.0 |
| Copper tube  | ASTM B88  | 102, 122  | Drawn       | 31    | (1) (13) | 36.0              | 30.0            | 10.3  | 10.3 | 10.3 | 10.3 | 10.0 | 9.7  | 9.4 |
| Brass tube   | ASTM B135 | 230       | Annealed    | 32    | ...      | 40.0              | 12.0            | 8.0   | 8.0  | 8.0  | 8.0  | 8.0  | 7.0  | 5.0 |
| Copper tube  | ASTM B280 | 102, 122  | Annealed    | 31    | (1)      | 30.0              | 9.0             | 6.0   | 5.1  | 4.8  | 4.8  | 4.7  | 4.0  | 3.0 |
| Copper pipe, threadless                                  | ASTM B302 | 102, 122  | Drawn       | 32    | (1)      | 36.0              | 30.0            | 10.3  | 10.3 | 10.3 | 10.3 | 10.0 | 9.7  | 9.4 |

GENERAL NOTES:

- (a) See para. 902.3 for discussion of allowable stress values.
- (b) The tabulated specifications are ASTM, except as noted. For boiler external piping, the corresponding ASME specifications shall be used. See ASME BPVC, Section II.
- (c) The stress values may be interpolated to determine allowable stresses for intermediate temperatures.
- (d) The P-Numbers indicated in this Appendix are identical to those adopted in ASME BPVC, Section IX.
- (e) All stress values are shown in units of thousands of pounds-force per square inch (ksi). Multiply by 1,000 to obtain values in psi.
- (f) Materials listed in Table 926.1 for which allowable stress values are not tabulated in Mandatory Appendix I may be used at allowable stresses found in ASME B31.1 or in ASME BPVC, Section I or Section VIII, Division 1. However, the temperature limits in this Code shall apply.

NOTES:

- (1) This material is not acceptable for boiler external piping. See Figure 900.1.2.
- (2) When product specification level (PSL) 2 pipe is purchased, the delivery condition according to API 5L, Table 3, may be M, N, Q or R.
- (3) ASTM A53 Type F pipe shall not be used for flammable or toxic fluids.
- (4) Materials such as pipe listed elsewhere in Mandatory Appendix I may be used as structural material in accordance with para. 921.7.2.
- (5) These stress values include a quality factor of 0.92 for structural material used in fabricating pressure-containing components. Materials used in supports shall have an allowable stress value in tension of one-fifth the specified minimum tensile strength.
- (6) The specification provides wall thicknesses appropriate to the various diameters and combinations of pressure and laying condition. See ANSI/AWWA C150/A21.50.
- (7) Due to the relatively low yield strength of these materials, these higher stress values were established for use at temperatures where the short-time tensile properties govern in order to permit the use of these alloys where slightly greater deformation is acceptable. The stress values in this range exceed 62 1/2% but do not exceed 90% of the yield strength at temperature. Use of these stress values may result in dimensional changes due to permanent strain. These stress values are not recommended for the flanges of gasketed joints or other applications where slight amounts of distortion can cause leakage or malfunction.
- (8) The stress values given for this material are not applicable when either welding or thermal cutting is employed; in such cases, use the value for O temper.