

ASME B16.22-2013
(Revision of ASME B16.22-2012)

Wrought Copper and Copper Alloy Solder-Joint Pressure Fittings

ASMENORMDOC.COM : Click to view the full PDF of ASME B16.22-2013

AN AMERICAN NATIONAL STANDARD



The American Society of
Mechanical Engineers

INTENTIONALLY LEFT BLANK

ASMENORMDOC.COM : Click to view the full PDF of ASME B16.22 2013

ASME B16.22-2013
(Revision of ASME B16.22-2012)

Wrought Copper and Copper Alloy Solder-Joint Pressure Fittings

ASMENORMDOC.COM : Click to view the full PDF of ASME B16.22-2013

AN AMERICAN NATIONAL STANDARD



**The American Society of
Mechanical Engineers**

Two Park Avenue • New York, NY • 10016 USA

Date of Issuance: September 25, 2013

The next edition of this Standard is scheduled for publication in 2018.

ASME issues written replies to inquiries concerning interpretations of technical aspects of this Standard. Periodically certain actions of the ASME B16 Committee may be published as Cases. Cases and interpretations are published on the ASME Web site under the Committee Pages at <http://cstools.asme.org/> as they are issued.

Errata to codes and standards may be posted on the ASME Web site under the Committee Pages to provide corrections to incorrectly published items, or to correct typographical or grammatical errors in codes and standards. Such errata shall be used on the date posted.

The Committee Pages can be found at <http://cstools.asme.org/>. There is an option available to automatically receive an e-mail notification when errata are posted to a particular code or standard. This option can be found on the appropriate Committee Page after selecting "Errata" in the "Publication Information" section.

ASME is the registered trademark of The American Society of Mechanical Engineers.

This code or standard was developed under procedures accredited as meeting the criteria for American National Standards. The Standards Committee that approved the code or standard was balanced to assure that individuals from competent and concerned interests have had an opportunity to participate. The proposed code or standard was made available for public review and comment that provides an opportunity for additional public input from industry, academia, regulatory agencies, and the public-at-large.

ASME does not "approve," "rate," or "endorse" any item, construction, proprietary device, or activity.

ASME does not take any position with respect to the validity of any patent rights asserted in connection with any items mentioned in this document, and does not undertake to insure anyone utilizing a standard against liability for infringement of any applicable letters patent, nor assumes any such liability. Users of a code or standard are expressly advised that determination of the validity of any such patent rights, and the risk of infringement of such rights, is entirely their own responsibility.

Participation by federal agency representative(s) or person(s) affiliated with industry is not to be interpreted as government or industry endorsement of this code or standard.

ASME accepts responsibility for only those interpretations of this document issued in accordance with the established ASME procedures and policies, which precludes the issuance of interpretations by individuals.

No part of this document may be reproduced in any form,
in an electronic retrieval system or otherwise,
without the prior written permission of the publisher.

The American Society of Mechanical Engineers
Two Park Avenue, New York, NY 10016-5990

Copyright © 2013 by
THE AMERICAN SOCIETY OF MECHANICAL ENGINEERS
All rights reserved
Printed in U.S.A.

CONTENTS

Foreword	iv
Committee Roster	vi
Correspondence With the B16 Committee	vii
Summary of Changes	viii
1 Scope	1
2 General	1
3 Pressure–Temperature Ratings	1
4 Terminology	1
5 Marking	6
6 Material	6
7 Laying Lengths	6
8 Tube Stops	6
9 Inspection Tolerance	6
10 Threaded Ends	7
11 Alignment	7
12 Gaging	7
Figures	
1 Method of Designating Laying Lengths of Fittings and Openings of Reducing Fittings	4
2 Tube Stops	6
3 Alignment	7
Tables	
1 Dimensions of Solder-Joint Ends, mm	2
2 Internal Pressure–Temperature Ratings for Copper Fittings, kPa	3
3 Inspection Tolerance	7
Mandatory Appendices	
I Strength of Solder Joints	9
II U.S. Customary Equivalents	10
III References	14
Nonmandatory Appendices	
A Fitting Rating	15
B Quality System Program	16

FOREWORD

Standardization of cast and wrought solder-joint fittings was initiated in Subcommittee 11 of American Standards Association (ASA) Sectional Committee A40 on Plumbing Requirements and Equipment. Development work culminated in the publication of ASA A40.3-1941. The standard benefited from work done by A. R. Maupin of the National Bureau of Standards, both before and during its development, on the strength of solder joints.

In 1949, work on these fittings was transferred to Sectional Committee B16, which established Subcommittee 9 (now Subcommittee J) with a scope broader than plumbing applications. The first standard developed was approved as ASA B16.18-1950, Cast-Brass Solder Joint Fittings. It was then decided to revise A40.3 as a B16 standard covering only wrought solder-joint fittings. This effort was facilitated by a 1950 draft prepared by joint effort of the Copper and Brass Research Association and the Manufacturers Standardization Society of the Valve and Fittings Industry (MSS). The draft, after review and approval by Subcommittee 9 and the Sectional Committee, was approved as B16.22-1951.

Revisions were published as ASA B16.22-1963 and, after reorganization of ASA as the American National Standards Institute (ANSI), as ANSI B16.22-1973. In these editions, updated practices, new materials, and new types of fittings were incorporated into the standard, as well as editorial improvements and updating of referenced specifications and standards.

In 1979, Subcommittee I (formerly 9, now J) added metric dimensional equivalents and made other minor improvements. This revision was approved by ANSI, after approval by the Committee and secretariat organizations, as ANSI B16.22-1980.

In 1982, American National Standards Committee B16 was reorganized as an ASME Committee operating under procedures accredited by ANSI.

In 1989, Subcommittee J removed metric equivalents and updated referenced standards.

In 1995, Subcommittee J defined bursting strength, defined standard gaging method for threaded ends, revised solder-joint lengths for $\frac{1}{8}$ -in. size external and internal ends, and revised minimum wall-thickness values based on a comprehensive bursting-test study. Following approval by the Standards Committee and ASME, approval as an American National Standard was given by ANSI on July 24, 1995, with the new designation ASME B16.22-1995.

In 1998, editorial revisions, which included the addition of a new section on quality systems and a change in the designation of ASTM B32 alloys, were issued as an addendum. This addendum to the 1995 Edition of ASME B16.22, after approval by the ASME B16 Committee and ASME, was approved as ASME B16.22a-1998.

In the 2001 Edition, Subcommittee J converted the physical requirements to SI (metric) units of measure, added requirements for tube stops, clarified ovalate and alignment requirements, and made numerous editorial revisions. Alloy E and Alloy HB were incorporated into the table listing pressure-temperature ratings for the soldering and brazing materials, plus values for the 95-5 tin-antimony solder were revised. These revisions to pressure-temperature ratings reflected the data from a National Institute of Standards and Technology (NIST) solder-joint testing study, initiated in 1993 to develop stress rupture and strength data on copper tube sleeve joints using various solders. Following approval by the ASME B16 Standards Committee, approval as an American National Standard was given by ANSI on October 11, 2001, with the new designation ASME B16.22-2001.

In the 2012 Edition, the phrase "pressure-temperature ratings" replaced "working pressure" throughout the text. Following approval by the ASME B16 Standards Committee, approval as an American National Standard was given by ANSI on October 22, 2012, with the new designation ASME B16.22-2012.

In this 2013 Edition, provisions have been included to recognize low lead alloys to comply with the U.S. Safe Drinking Water Act which will be effective January, 2014. Following approval by the ASME B16 Standards Committee, approval as an American National Standard was given by ANSI on July 29, 2013, with the new designation ASME B16.22-2013.

Requests for interpretations or suggestions for revisions should be sent to the Secretary, B16 Standards Committee, The American Society of Mechanical Engineers, Two Park Avenue, New York, NY 10016-5990.

ASMENORMDOC.COM : Click to view the full PDF of ASME B16.22 2013

ASME B16 COMMITTEE

Standardization of Valves, Flanges, Fittings, and Gaskets

(The following is the roster of the Committee at the time of approval of this Standard.)

STANDARDS COMMITTEE OFFICERS

W. B. Bedesem, *Chair*
G. A. Jolly, *Vice Chair*
C. E. O'Brien, *Secretary*

STANDARDS COMMITTEE PERSONNEL

A. Appleton , Alloy Stainless Products Co., Inc.	M. Katcher , Haynes International
R. W. Barnes , Anric Enterprises, Inc.	W. N. McLean , B&L Engineering
W. B. Bedesem , Consultant	T. A. McMahon , Emerson Process Management
R. M. Bojarczuk , ExxonMobil Research & Engineering Co.	M. L. Nayyar , NICE
A. M. Cheta , Shell Exploration and Production Co.	C. E. O'Brien , The American Society of Mechanical Engineers
M. A. Clark , Nibco, Inc.	W. H. Patrick , The Dow Chemical Co.
G. A. Cuccio , Capitol Manufacturing Co.	D. Raho , Consultant
C. E. Davila , Crane Energy	R. A. Schmidt , Canadoil
D. R. Frikken , Becht Engineering Co.	H. R. Sonderegger , Fluoroseal, Inc.
R. B. Hai , RBH Associates	W. M. Stephan , Flexitallic LP
K. A. Hettler , U.S. Coast Guard	F. R. Volgstadt , Volgstadt & Associates, Inc.
G. A. Jolly , Vogt Valves/Flowserve Corp.	D. A. Williams , Southern Co. Generation

SUBCOMMITTEE J — COPPER AND COPPER ALLOY FLANGES

M. A. Clark , <i>Chair</i> , Nibco, Inc.	T. L. Jamison , Jamison Engineering
C. R. Ramcharran , <i>Secretary</i> , The American Society of Mechanical Engineers	A. G. Kireta, Jr. , Copper Development Association, Inc.
J. A. Ballanco , JB Engineering & Code Consulting	A. A. Knapp , A. Knapp & Associates
S. L. Cavanaugh , Cavanaugh Consulting	S. Robinett , Elkhart Products Corp.
A. Ciechanowski , NSF International	F. Shingleton , Viega, LLC
D. R. Frikken , Becht Engineering Co.	G. Morgan , <i>Alternate</i> , Viega, LLC
M. Gillespie , Viega North America	C. A. Stout , Mueller Industries, Inc.
	C. Mueller , <i>Alternate</i> , Mueller Industries, Inc.

CORRESPONDENCE WITH THE B16 COMMITTEE

General. ASME Standards are developed and maintained with the intent to represent the consensus of concerned interests. As such, users of this Standard may interact with the Committee by requesting interpretations, proposing revisions, and attending Committee meetings. Correspondence should be addressed to:

Secretary, B16 Standards Committee
The American Society of Mechanical Engineers
Two Park Avenue
New York, NY 10016-5990

As an alternative, inquiries may be submitted via e-mail to: SecretaryB16@asme.org.

Proposing Revisions. Revisions are made periodically to the Standard to incorporate changes that appear necessary or desirable, as demonstrated by the experience gained from the application of the Standard. Approved revisions will be published periodically.

The Committee welcomes proposals for revisions to this Standard. Such proposals should be as specific as possible, citing the paragraph number(s), the proposed wording, and a detailed description of the reasons for the proposal, including any pertinent documentation.

Proposing a Case. Cases may be issued for the purpose of providing alternative rules when justified, to permit early implementation of an approved revision when the need is urgent, or to provide rules not covered by existing provisions. Cases are effective immediately upon ASME approval and shall be posted on the ASME Committee Web page.

Requests for Cases shall provide a Statement of Need and Background Information. The request should identify the Standard, the paragraph, figure or table number(s), and be written as a Question and Reply in the same format as existing Cases. Requests for Cases should also indicate the applicable edition(s) of the Standard to which the proposed Case applies.

Interpretations. Upon request, the B16 Committee will render an interpretation of any requirement of the Standard. Interpretations can only be rendered in response to a written request sent to the Secretary of the B16 Standards Committee.

The request for interpretation should be clear and unambiguous. It is further recommended that the inquirer submit his/her request in the following format:

Subject:	Cite the applicable paragraph number(s) and the topic of the inquiry.
Edition:	Cite the applicable edition of the Standard for which the interpretation is being requested.
Question:	Phrase the question as a request for an interpretation of a specific requirement suitable for general understanding and use, not as a request for an approval of a proprietary design or situation. The inquirer may also include any plans or drawings, that are necessary to explain the question; however, they should not contain proprietary names or information.

Requests that are not in this format may be rewritten in the appropriate format by the Committee prior to being answered, which may inadvertently change the intent of the original request.

ASME procedures provide for reconsideration of any interpretation when or if additional information that might affect an interpretation is available. Further, persons aggrieved by an interpretation may appeal to the cognizant ASME Committee or Subcommittee. ASME does not "approve," "certify," "rate," or "endorse" any item, construction, proprietary device, or activity.

Attending Committee Meetings. The B16 Standards Committee regularly holds meetings that are open to the public. Persons wishing to attend any meeting should contact the Secretary of the B16 Standards Committee.

ASME B16.22-2013

SUMMARY OF CHANGES

Following approval by the ASME B16 Committee and ASME, and after public review, ASME B16.22-2013 was approved by the American National Standards Institute on July 29, 2013.

ASME B16.22-2013 includes the following change identified by a margin note, (13).

<i>Page</i>	<i>Location</i>	<i>Change</i>
6	6	Subparagraph (b) revised for potable water applications

ASMENORMDOC.COM : Click to view the full PDF of ASME B16.22-2013

WROUGHT COPPER AND COPPER ALLOY SOLDER-JOINT PRESSURE FITTINGS

1 SCOPE

This Standard establishes specifications for wrought copper and wrought copper alloy, solder-joint, seamless fittings, designed for use with seamless copper tube conforming to ASTM B88 (water and general plumbing systems), ASTM B280 (air conditioning and refrigeration service), and ASTM B819 (medical gas systems), as well as fittings intended to be assembled with soldering materials conforming to ASTM B32, brazing materials conforming to AWS A5.8, or with tapered pipe thread conforming to ASME B1.20.1.

This Standard is allied with ASME B16.18, which covers cast copper alloy pressure fittings. It provides requirements for fitting ends suitable for soldering. This Standard covers the following:

- (a) pressure-temperature ratings
- (b) abbreviations for end connections
- (c) size and method of designating openings of fittings
- (d) marking
- (e) material
- (f) dimensions and tolerances
- (g) tests

2 GENERAL

2.1 Relevant Units

This Standard states values in both SI (metric) and U.S. Customary units. These systems of units are to be regarded separately as standard. Within the text, the U.S. Customary units are shown in parentheses or in separate tables that appear in Mandatory Appendix II. The values stated in each system are not exact equivalents; therefore, it is required that each system of units be used independently of the other. Combining values from the two systems constitutes nonconformance with the Standard.

2.2 References

Standards and specifications adopted by reference in this Standard are shown in Mandatory Appendix III. It is not considered practical to identify the specific edition of each standard and specification in the individual references. Instead, the specific edition reference is identified in Mandatory Appendix III.

2.3 Quality Systems

Requirements relating to the product manufacturer's quality system program are described in Nonmandatory Appendix B.

3 PRESSURE-TEMPERATURE RATINGS

3.1 Rating of Fittings and Joints

The internal pressure-temperature rating for a solder-joint system is dependent upon not only fitting and tube strength, but also composition of the solder used for the joint and selection of valves and appurtenances.

3.1.1 Solder Joints. Pressure-temperature ratings for solder joints to the dimensions of Table 1 (Table II-1), made with typical commercial solders, are given in Table I-1 (Table II-4).

The internal pressure-temperature rating of the system with solder joints shall be the lowest of the values shown in Table 2 (Table II-2) and Table I-1 (Table II-4) and those of the tube, valves, and appurtenances.

3.1.2 Braze Joints. Pressure-temperature ratings for braze joints to the dimensions of Table 1 (Table II-1), made with typical commercial brazing materials, shall be considered equal to the values given in Table 2 (Table II-2).

The internal pressure-temperature rating of the system with braze joints shall be the lowest of the values shown in Table 2 (Table II-2) and those of the tube, valves, and appurtenances.

3.2 Bursting Strength

Fittings manufactured to the Standard shall have an ambient temperature bursting strength of at least four times the 38°C (100°F) internal pressure rating as shown in Table 2 (Table II-2).

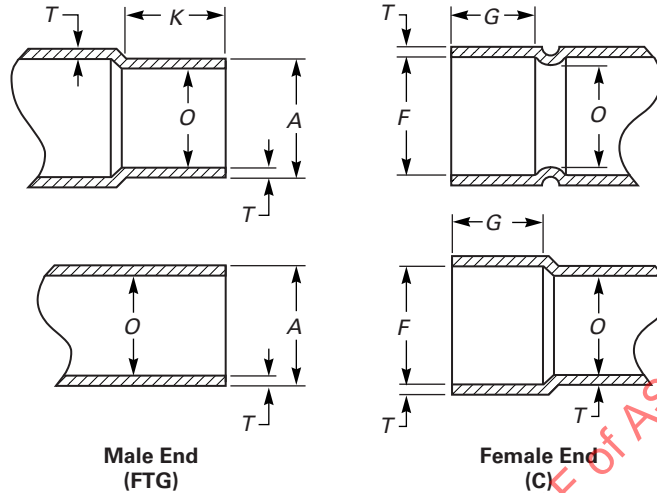
4 TERMINOLOGY

4.1 Size

The size of the fittings shown in Table 1 (Table II-1) corresponds to standard water tube size as shown in ASTM B88. The size of the threaded ends corresponds to nominal pipe size as shown in ASME B1.20.1.

Fittings are designated by the size of the openings in the sequence illustrated in Fig. 1.

Table 1 Dimensions of Solder-Joint Ends, mm



Standard Water Tube Size [Note (1)]	External End			Internal End			Inside Diameter of Fitting, O		
	Outside Diameter, A		Length, K	Inside Diameter, F		Min. Depth, G [Note (4)]	Min. Wall Thickness, T	Dia., Min.	Out-of- Roundness, Max.
	Min.	Max. [Note (2)]	Min. [Note (3)]	Min.	Max. [Note (2)]				
1/8 [Note (5)]	6.30	6.38	7.9	6.40	6.50	6.4	0.48	4.6	0.5
1/4	9.47	9.55	9.7	9.58	9.68	7.9	0.58	7.6	0.8
3/8	12.62	12.73	11.2	12.75	12.85	9.7	0.66	9.9	1.0
1/2	15.80	15.90	14.2	15.93	16.03	12.7	0.74	13.2	1.3
5/8	18.97	19.08	17.5	19.10	19.20	15.7	0.79	16.0	1.6
3/4	22.15	22.25	20.6	22.28	22.38	19.1	0.84	18.8	1.9
1	28.50	28.63	24.6	28.65	28.75	23.1	1.02	24.9	2.5
1 1/4	34.85	34.98	26.2	35.00	35.10	24.6	1.12	31.2	3.1
1 1/2	41.17	41.33	29.5	41.35	41.48	27.7	1.30	37.3	3.7
2	53.87	54.03	35.8	54.05	54.18	34.0	1.50	49.3	4.9
2 1/2	66.57	66.73	38.9	66.75	66.88	37.3	1.70	61.5	6.1
3	79.27	79.43	43.7	79.45	79.58	42.2	1.91	73.4	7.3
3 1/2	91.97	92.13	50.0	92.15	92.28	48.5	2.18	85.6	8.6
4	104.67	104.83	56.4	104.85	104.98	54.9	2.44	97.5	9.8
5	130.07	130.23	69.1	130.25	130.38	67.6	2.82	119.4	11.9
6	155.47	155.63	81.8	155.65	155.78	78.5	3.15	145.3	14.5
8	206.22	206.43	103.9	206.45	206.58	100.8	4.39	191.8	19.2

GENERAL NOTE: Drawings and designs of fittings are illustrative only. Dimensions herein shall govern in all cases.

NOTES:

- (1) For size designation of fittings, see para. 4.1.
- (2) For ovality, see para. 9.3.
- (3) The distance from the point of tangency, at the gage I.D. to the gage line, shall be equal to the dimension shown in this column.
- (4) The distance from the point of tangency, at the gage O.D. to the gage line, shall be equal to the dimension shown in this column.
- (5) 1/8 size is 1/4 O.D. seamless copper tube for refrigeration service, etc., as listed in ASTM B280.

Table 2 Internal Pressure–Temperature Ratings for Copper Fittings, kPa

Standard Water Tube Size [Note (1)]	–29°C to 38°C	66°C	93°C	121°C	149°C	177°C	204°C
1/4	6 280	5 340	5 130	5 020	4 920	4 190	3 140
3/8	5 360	4 560	4 380	4 290	4 200	3 570	2 680
1/2	4 970	4 220	4 060	3 980	3 890	3 310	2 480
5/8	4 350	3 700	3 550	3 480	3 410	2 900	2 170
3/4	4 010	3 410	3 270	3 210	3 140	2 670	2 000
1	3 400	2 890	2 780	2 720	2 660	2 270	1 700
1 1/4	3 020	2 570	2 470	2 420	2 370	2 010	1 510
1 1/2	2 810	2 390	2 300	2 250	2 200	1 870	1 400
2	2 500	2 130	2 040	2 000	1 960	1 670	1 250
2 1/2	2 310	1 960	1 890	1 850	1 810	1 540	1 150
3	2 180	1 850	1 780	1 740	1 710	1 450	1 090
3 1/2	2 090	1 770	1 700	1 670	1 630	1 390	1 040
4	2 020	1 710	1 650	1 610	1 580	1 340	1 010
5	1 850	1 570	1 510	1 480	1 450	1 230	920
6	1 720	1 460	1 410	1 380	1 350	1 150	860
8	1 860	1 580	1 520	1 490	1 460	1 240	930

GENERAL NOTES:

- (a) The fitting pressure–temperature rating applies to the largest opening of the fitting.
 (b) The fitting pressure–temperature rating is calculated as shown in Nonmandatory Appendix A, then rounded down to the nearest unit of 10.

NOTE:

- (1) For size designation of fittings, see para. 4.1.

Fig. 1 Method of Designating Laying Lengths of Fittings and Openings of Reducing Fittings

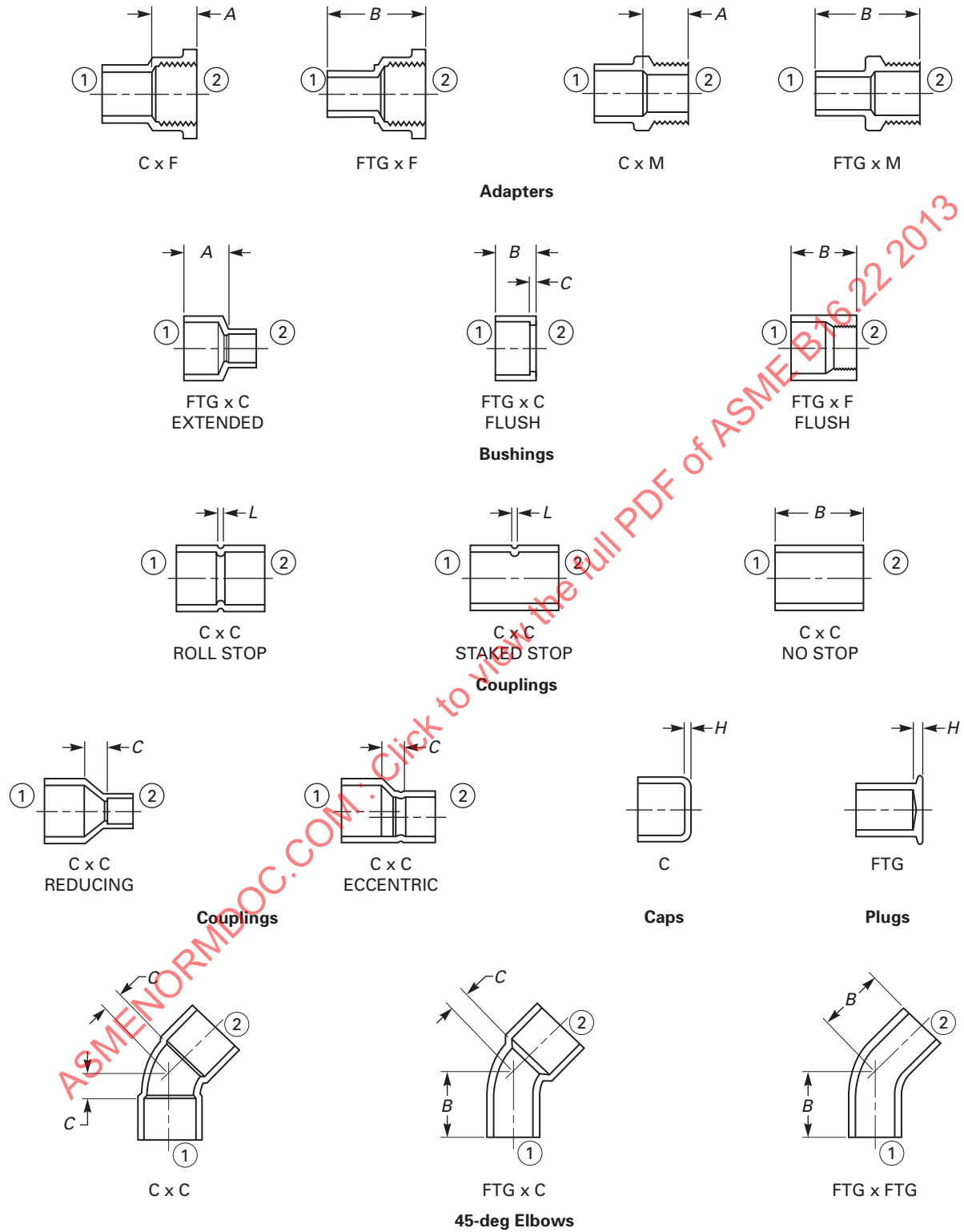
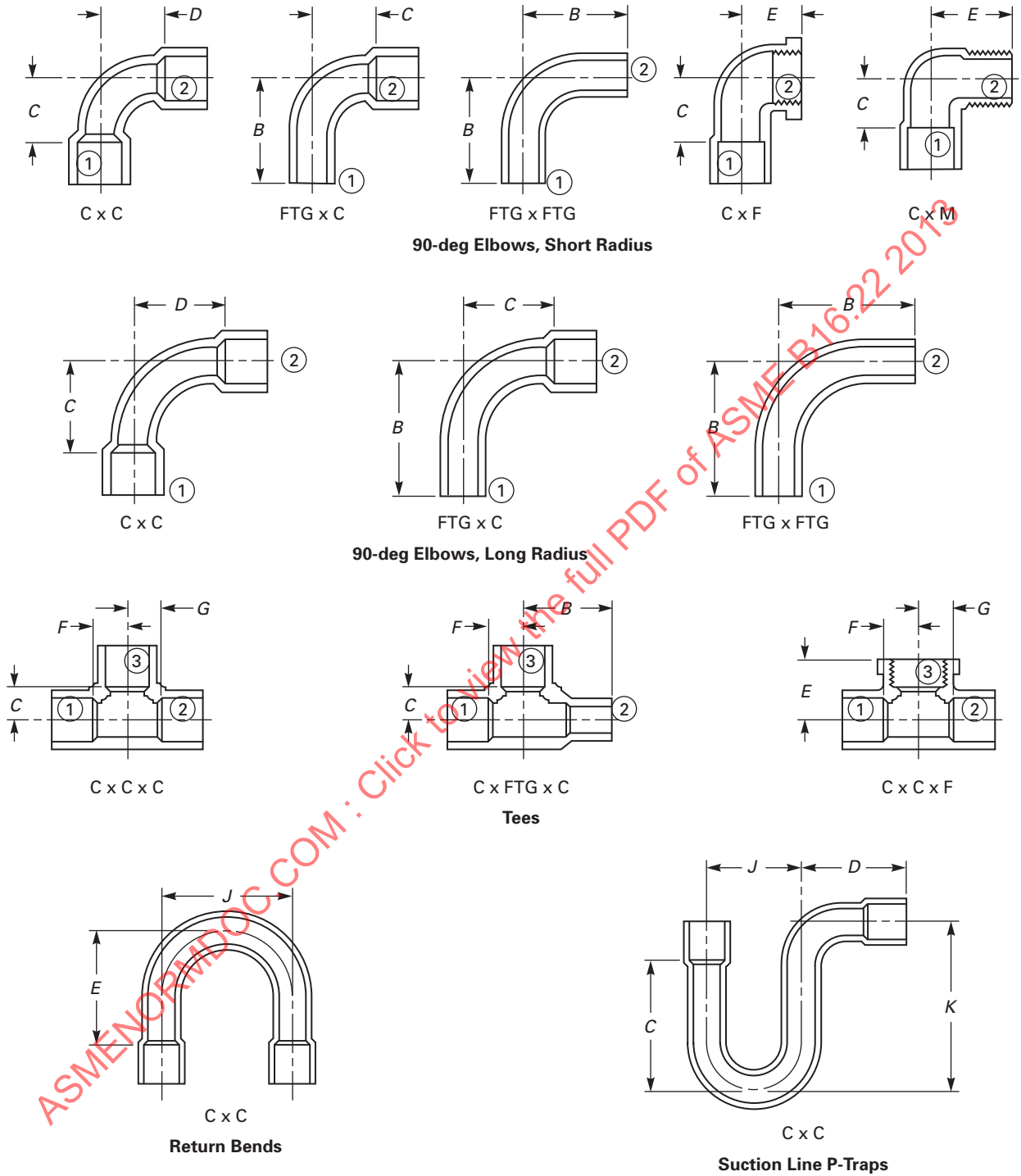


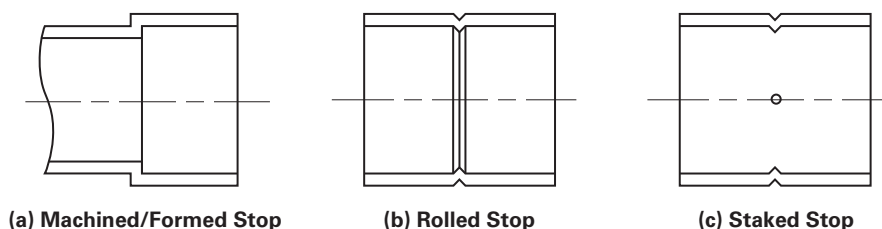
Fig. 1 Method of Designating Laying Lengths of Fittings and Openings of Reducing Fittings (Cont'd)



GENERAL NOTES:

- (a) Fittings are designated by size in the order: ① × ② × ③.
- (b) Fitting designs and drawings are illustrative only.

Fig. 2 Tube Stops



GENERAL NOTE: This figure is for illustration only; the shape and number of abutments shall be at the manufacturer's discretion.

4.2 Abbreviations

The following symbols are used to designate the type of fitting end:

- C = solder-joint fitting end made to receive copper tube diameter (female)
- F = internal ANSI standard taper pipe-thread end (female) NPTI
- FTG = solder-joint fitting end made to copper tube diameter (male)
- M = external ANSI standard taper pipe-thread end (male) NPTE

4.3 Definitions

out-of-roundness: maximum measured diameter minus minimum measured diameter.

ovality: elliptical condition associated with out-of-roundness.

5 MARKING

Each fitting shall be permanently marked with the manufacturer's name or trademark in accordance with MSS SP-25. Marking on fittings less than size $\frac{1}{2}$ or on any fitting where it damages soldering surfaces is not required.

(13) 6 MATERIAL

(a) Fittings shall be made from copper UNS Nos. C10200, C12000, or C12200 or copper alloy UNS No. C23000, for which allowable stresses are found in ASME B31.1, ASME B31.9, or ASME Boiler and Pressure Vessel Code, Section II — Materials.

(b) Other coppers and copper alloys are permitted, provided they meet the chemical requirements of 84% minimum copper and 16% maximum zinc and provided the fittings produced from the copper alloy meet all the mechanical and corrosion-resistant properties for the end purposes of the fittings. For potable water applications, fittings shall be produced from low lead (0.25% or less) copper alloys and shall meet all the mechanical and corrosion-resistant properties for the end purposes of the fittings. The composition of the copper alloy shall

contain nothing that will inhibit joining to the tube or to other fittings.

7 LAYING LENGTHS

Due to widely varying manufacturing processes, meaningful laying length requirements of fittings cannot be established. Consult the manufacturer for these dimensions.

8 TUBE STOPS

Except for repair couplings, fittings shall be manufactured with a tube stop. Repair couplings shall not require a tube stop. The tube stop shall control joint length, even with an external (FTG) end having the minimum outside diameter shown in Table 1 (Table II-1). Examples of various tube stop configurations are shown in Fig. 2.

9 INSPECTION TOLERANCE

9.1 Convention

For determining conformance with this Standard, the convention for fixing significant digits where limits (maximum or minimum values) are specified shall be as defined in ASTM E29. This requires that an observed or calculated value be rounded off to the nearest unit in the last right-hand digit used for expressing the limit. Decimal values and tolerances do not imply a particular method of measurement.

9.2 Linear Dimensions

An inspection tolerance, as shown in Table 3 (Table II-3), shall be allowed on center-to-shoulder, center-to-center, center-to-threaded-end, and shoulder-to-threaded-end dimensions on all fittings having internal (C) solder ends, as well as on center-to-solder-end and solder-end-to-threaded-end dimensions on all fittings having external (FTG) solder ends.

Coupling inspection limits for shoulder-to-shoulder and shoulder-to-end dimensions shall be double those shown in Table 3 (Table II-3), except that the minus tolerance applied to dimension L (see Fig. 1) shall not result in a dimension less than 1.5 mm (0.06 in.).

The largest opening in the fitting shall govern the tolerance to be applied to all openings.

Table 3 Inspection Tolerance

Standard Water Tube and Pipe Thread Sizes	Tolerance, mm
$\frac{1}{8}$, $\frac{1}{4}$, $\frac{3}{8}$ [Note (1)]	± 1.3
$\frac{1}{2}$, $\frac{5}{8}$, $\frac{3}{4}$	± 1.5
1, $1\frac{1}{4}$, $1\frac{1}{2}$, 2	± 2.0
$2\frac{1}{2}$, 3, $3\frac{1}{2}$	± 2.8
4 and 5	± 3.0
6 and 8	± 4.1

NOTE:

(1) $\frac{1}{8}$ size is $\frac{1}{4}$ O.D. seamless copper tube for refrigeration service, etc., as listed in ASTM B280.

9.3 Ovality of Fitting End (C or FTG)

Maximum ovality of the fitting solder-joint end shall not exceed 1% of the maximum diameters shown in Table 1 (Table II-1). The average of the maximum and minimum diameters shall be within the dimensions shown in the Table.

9.4 Inside Diameter of Fitting

The minimum cross-sectional area of the inside diameter through the fitting body shall not be less than the theoretical minimum area defined by diameter O in Table 1 (Table II-1). The out-of-roundness condition of the cross-sectional area shall not exceed the value shown in Table 1 (Table II-1).

For reducer or adapter fittings, the smallest end diameter shall apply, provided that this diameter does not restrict the other outlets.

9.5 Wall Thickness

The minimum wall thickness shall not be less than that shown in Table 1 (Table II-1).

10 THREADED ENDS

Fitting threads shall be right-hand, conforming to ASME B1.20.1. They shall be taper threads (NPT).

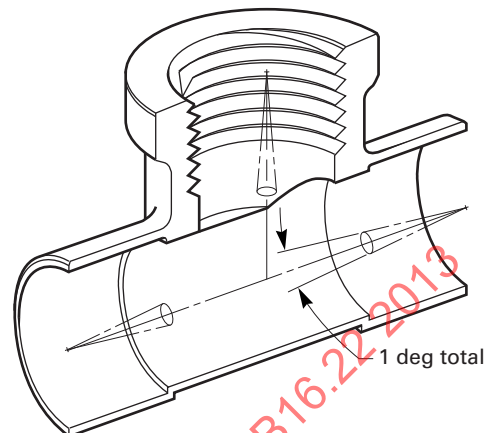
10.1 Countersink or Chamfer

All internal threads shall be countersunk a distance no less than one-half the pitch of the thread, at an angle of approximately 45 deg with the axis of the thread. All external threads shall be chamfered at an angle of 30 deg to 45 deg from the axis. Countersinking and chamfering shall be concentric with the threads.

The length of threads shall be measured to include the countersink or chamfer.

10.2 Threading Tolerances

Tapered pipe threads (NPT) shall be checked by use of plug or ring gages in either standard or limit types.

Fig. 3 Alignment

GENERAL NOTE: This figure is for illustration only.

When gaging internal taper threads, the plug gage shall be screwed hand-tight into the fitting. The reference point for gaging internal product threads depends on the chamfer diameter. When the internal chamfer diameter exceeds the major diameter of the internal thread, the reference point shall be the last thread scratch on the chamfer cone. Otherwise, when the internal chamfer diameter does not exceed the major diameter of the internal thread, the reference point shall be the end of the fitting. In gaging external taper threads, the ring gage shall be screwed hand-tight on the external thread. On the external thread, the ring gage shall be flush with the end of the thread.

Tolerance for an internal threaded end having an internal shoulder shall be from the gage reference point (notch) to one turn small. Tolerance for an internally threaded end without a shoulder, and for an externally threaded end, shall be from one turn small to one turn large.

10.3 Design of Threaded Ends

The wrenching section of internally threaded ends shall be polygonal, and the wrenching section of externally threaded ends shall be furnished with either polygon or flats, at the manufacturer's option.

11 ALIGNMENT

The maximum allowable deviation in the angular alignment of any end from the specified axis position shall be $\frac{1}{2}$ deg (1 deg total). See Fig. 3.

12 GAGING**12.1 Preferred Gaging Method of Solder-Joint Ends**

The preferred method of gaging the diameter tolerances for external and internal ends shall be by the use of

plain plug and ring gages designed to hold the product within the limits established in Table 1 (Table II-1). Gage tolerances shall be Class ZM, as defined in ASME B4.4M.

12.2 Optional Gaging Method of Solder-Joint Ends

For gaging the diameter tolerance of external and internal ends, the use of direct reading instruments instead of ring and plug gages as specified in para. 12.1 shall be permitted. When gaging the diameters of external and internal ends using direct reading instruments, refer to para. 9.3.

12.3 Standard Gaging Method of Threaded Ends

The standard method of gaging the externally and internally threaded ends shall be in accordance with the requirements of ASME B1.20.1.

NOTE: In gaging pipe threads, it is acceptable and common practice to rap or tap the part to ensure proper seating of the gage. However, it is first necessary to clean both the gage and product threads to ensure that they are free of chips, burrs, abrasives, or other foreign materials.

ASMENORMDOC.COM : Click to view the full PDF of ASME B16.22 2013

MANDATORY APPENDIX I

STRENGTH OF SOLDER JOINTS

The maximum recommended pressure–temperature ratings for solder joints made with copper tube and wrought copper and copper alloy pressure fittings, using representative commercial solders, are listed in Table I-1. These pressure–temperature ratings are based on solder joints made in accordance with the requirements of ASTM B828.

Table I-1 Pressure–Temperature Ratings

Joining Material	Temperature, °C	Maximum Gage Pressure for Standard Water Tube Sizes, kPa [Note (1)]			
		1/8 Through 1	1 1/4 Through 2	2 1/2 Through 4	5 Through 8
		Alloy Sn50	38	1 375	1 205
50–50 tin–lead solder [Notes (2), (3)]	66	1 030	860	685	620
	93	685	620	515	480
	121	585	515	340	310
Alloy Sb5	38	7 540 [Note (5)]	5 880 [Note (6)]	4 880 [Note (6)]	4 555 [Note (6)]
95–5 tin–antimony solder [Note (4)]	66	4 315 [Note (7)]	3 365 [Note (7)]	2 790 [Note (7)]	2 605 [Note (7)]
	93	3 500 [Note (8)]	2 730 [Note (7)]	2 265 [Note (7)]	2 115 [Note (7)]
	121	1 885	1 475	1 220	1 135
Alloy E	38	4 905 [Note (7)]	3 825 [Note (7)]	3 175 [Note (7)]	2 965 [Note (7)]
[Note (9)]	66	3 275 [Note (8)]	2 550 [Note (7)]	2 115 [Note (7)]	1 975 [Note (8)]
	93	2 595	2 025	1 680 [Note (8)]	1 570 [Note (8)]
	121	2 230	1 735	1 440	1 340
Alloy HB	38	7 135 [Note (5)]	5 560 [Note (6)]	4 615 [Note (6)]	4 305 [Note (5)]
[Note (10)]	66	4 905 [Note (7)]	3 825 [Note (7)]	3 175 [Note (7)]	2 965 [Note (7)]
	93	3 045 [Note (8)]	2 375 [Note (8)]	1 970 [Note (8)]	1 840 [Note (8)]
	121	2 970 [Note (8)]	2 315 [Note (8)]	1 920 [Note (8)]	1 800 [Note (8)]
Joining materials melting at or above 593°C [Note (11)]		Pressure–temperature ratings consistent with the materials and procedures employed			

GENERAL NOTE: For temperatures in the –18°C to –93°C range, it is recommended that a joint material melting at or above 593°C be employed [See Note (9)].

NOTES:

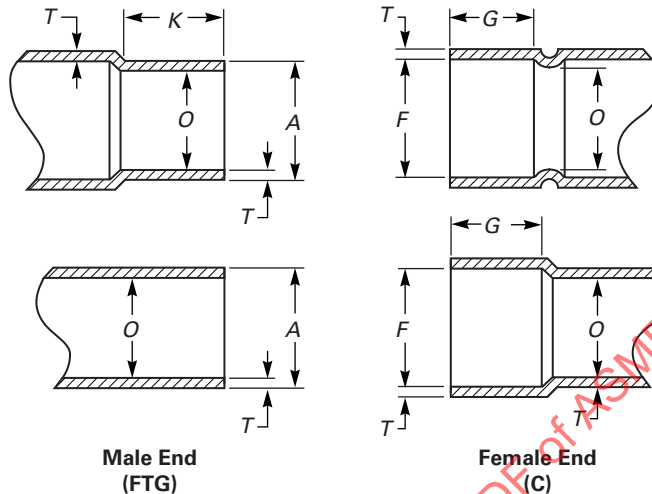
- (1) Standard water tube sizes per ASTM B88.
- (2) ASTM B32 Alloy Grade Sn50.
- (3) The Safe Drinking Water Act Amendments of 1986 prohibit the use of any solder having a lead content in excess of 0.2% in potable water systems.
- (4) ASTM B32 Alloy Grade Sb5.
- (5) The solder joint exceeds the strength of Types L and M tube in drawn temper and Type K tube in annealed temper.
- (6) The solder joint exceeds the strength of Types K, L, and M tube in drawn and annealed tempers.
- (7) The solder joint exceeds the strength of Type M tube in drawn temper and Types L and K in annealed temper.
- (8) The solder joint exceeds the strength of Type L tube in annealed temper.
- (9) ASTM B32 Alloy Grade E.
- (10) ASTM B32 Alloy Grade HB.
- (11) These joining materials are defined as “brazing alloys” by the American Welding Society.

MANDATORY APPENDIX II U.S. CUSTOMARY EQUIVALENTS

See Tables II-1 through II-4.

ASMENORMDOC.COM : Click to view the full PDF of ASME B16.22-2013

Table II-1 Dimensions of Solder-Joint Ends, in.



Standard Water Tube Size [Note (1)]	External End			Internal End			Inside Diameter of Fitting, <i>O</i>		
	Outside Diameter, <i>A</i>		Length, <i>K</i>	Inside Diameter, <i>F</i>		Min. Depth, <i>G</i> [Note (4)]	Min. Wall Thickness, <i>T</i>	Dia., Min.	Out-of- Roundness, Max.
	Min.	Max. [Note (2)]	Min. [Note (3)]	Min.	Max. [Note (2)]				
$\frac{1}{8}$ [Note (5)]	0.248	0.251	0.31	0.252	0.256	0.25	0.019	0.18	0.02
$\frac{1}{4}$	0.373	0.376	0.38	0.377	0.381	0.31	0.023	0.30	0.03
$\frac{3}{8}$	0.497	0.501	0.44	0.502	0.506	0.38	0.026	0.39	0.04
$\frac{1}{2}$	0.622	0.626	0.56	0.627	0.631	0.50	0.029	0.52	0.05
$\frac{5}{8}$	0.747	0.751	0.69	0.752	0.756	0.62	0.031	0.63	0.06
$\frac{3}{4}$	0.872	0.876	0.81	0.877	0.881	0.75	0.033	0.74	0.07
1	1.122	1.127	0.97	1.128	1.132	0.91	0.040	0.98	0.10
$1\frac{1}{4}$	1.372	1.377	1.03	1.378	1.382	0.97	0.044	1.23	0.12
$1\frac{1}{2}$	1.621	1.627	1.16	1.628	1.633	1.09	0.051	1.47	0.15
2	2.121	2.127	1.41	2.128	2.133	1.34	0.059	1.94	0.19
$2\frac{1}{2}$	2.621	2.627	1.53	2.628	2.633	1.47	0.067	2.42	0.24
3	3.121	3.127	1.72	3.128	3.133	1.66	0.075	2.89	0.29
$3\frac{1}{2}$	3.621	3.627	1.97	3.628	3.633	1.91	0.086	3.37	0.34
4	4.121	4.127	2.22	4.128	4.133	2.16	0.096	3.84	0.38
5	5.121	5.127	2.72	5.128	5.133	2.66	0.111	4.70	0.47
6	6.121	6.127	3.22	6.128	6.133	3.09	0.124	5.72	0.57
8	8.119	8.127	4.09	8.128	8.133	3.97	0.173	7.55	0.76

GENERAL NOTE: Drawings and designs of fittings are illustrative only. Dimensions herein shall govern in all cases.

NOTES:

- (1) For size designation of fittings, see para. 4.1.
- (2) For ovality, see para. 9.3.
- (3) The distance from the point of tangency, at the gage I.D. to the gage line, shall be equal to the dimension shown in this column.
- (4) The distance from the point of tangency, at the gage O.D. to the gage line, shall be equal to the dimension shown in this column.
- (5) $\frac{1}{8}$ size is $\frac{1}{4}$ O.D. seamless copper tube for refrigeration service, etc., as listed in ASTM B280.

Table II-2 Internal Pressure–Temperature Ratings for Copper Fittings, psi

Standard Water Tube Size [Note (1)]	–20°F to 100°F	150°F	200°F	250°F	300°F	350°F	400°F
1/4	910	770	740	725	710	605	455
3/8	775	660	635	620	610	515	385
1/2	720	610	585	575	565	480	360
5/8	630	535	515	505	490	420	315
3/4	580	490	475	465	455	385	290
1	490	420	400	395	385	325	245
1 1/4	435	370	355	350	340	290	215
1 1/2	405	345	330	325	315	270	200
2	360	305	295	290	280	240	180
2 1/2	335	285	270	265	260	220	165
3	315	265	255	250	245	210	155
3 1/2	300	255	245	240	235	200	150
4	290	245	235	230	225	195	145
5	265	225	215	215	210	175	130
6	250	210	200	200	195	165	125
8	270	225	220	215	210	180	135

GENERAL NOTES:

- (a) The fitting pressure–temperature rating applies to the largest opening of the fitting.
 (b) The fitting pressure–temperature rating is calculated as shown in Nonmandatory Appendix A, then rounded down to the nearest unit of 5.

NOTE:

- (1) For size designation of fittings, see para. 4.1.

Table II-3 Inspection Tolerance

Standard Water Tube and Pipe Thread Sizes	Tolerance, in.
1/8, 1/4, 3/8 [Note (1)]	±0.05
1/2, 5/8, 3/4	±0.06
1, 1 1/4, 1 1/2, 2	±0.08
2 1/2, 3, 3 1/2	±0.11
4 and 5	±0.12
6 and 8	±0.16

NOTE:

- (1) 1/8 size is 1/4 O.D. seamless copper tube for refrigeration service, etc., as listed in ASTM B280.